



*Fire Your Imagination*

# Riva2 600

**Inset Convector Fire - Balanced Flue  
with Thermostatic Remote Control**



## Instructions for Use, Installation & Servicing

For use in GB & IE (Great Britain & Republic of Ireland).

### **IMPORTANT**

**THE OUTER CASING, FRONT AND GLASS PANEL BECOME EXTREMELY HOT DURING OPERATION AND WILL RESULT IN SERIOUS INJURY AND BURNS IF TOUCHED. IT IS THEREFORE RECOMMENDED THAT A FIREGUARD COMPLYING WITH BS 8423 (LATEST EDITION) IS USED IN THE PRESENCE OF YOUNG CHILDREN, THE ELDERLY OR INFIRM.**

This product contains a Heat resistant glass panel. This panel should be checked during Installation and at each servicing interval. If any damage is observed on the front face of the glass panel (scratches, scores, cracks or other surface defects), the glass panel must be replaced and the appliance must not be used until a replacement is installed. Under no circumstances should the appliance be used if any damage is observed, the glass panel is removed or broken.

It is essential that ALL of the screws that retain the glass frame are replaced and tightened correctly. Under no circumstances should the appliance be operated if any of these screws are loose or missing.

These Instructions must be left with the appliance for future reference and for consultation when servicing the appliance. Please make the customer aware of the correct operation of the appliance before leaving these instructions with them.

The commissioning sheet found on Page 3 of this Instruction manual must be completed by the Installer prior to leaving the premises.

# Contents

## Riva2 600 - Balanced Flue

Covering the following models:

Riva2 600 Nat Gas	Riva2 600 LPG
134-134	134-702

<b>Appliance Commissioning Checklist</b> .....	<b>3</b>
<b>User Instructions</b> .....	<b>4</b>
<b>Installation Instructions</b> .....	<b>12</b>
Technical Specifications .....	12
Site Requirements .....	14
Installation .....	19
Commissioning .....	32
<b>Servicing Instructions</b> .....	<b>33</b>
Fault Finding .....	33
How to Replace Parts .....	35
Spare Parts List .....	42
Service Records .....	44
Information Requirement - Gas Heaters .....	45



If you have purchased your stove or fire from an authorised stockist within our Expert Retailer Network, then automatically your product will carry a 2 year warranty as standard. The 2 year warranty can be further extended to a total warranty period of 5 years by registering your Gazco Stove or Fireplace within one month of the latter of the purchase date or installation date. Accordingly, the start date for the warranty period is the date of purchase. During the registration process, the Expert Retailer details will be required for your Extended Warranty to be activated. Any product purchased outside of our Expert Retailer Network will carry a standard 12 month, non-extendable warranty.

It is a condition of the Extended Warranty that the installation complies with the relevant Building Regulations and is carried out by a suitably trained and qualified individual (GasSafe in the UK or equivalent in other countries) with the certificate of installation and the Commissioning Report on Page 3 completed and retained by the end user.

Full terms and conditions are detailed in the Warranty Statement on the Gazco website [www.gazco.com](http://www.gazco.com). In the event of any conflict of information the wording on the website shall prevail.

**Important Note:** Should any problems be experienced with your product, claims must first be submitted to the Expert Retailer where the appliance was purchased from who will offer immediate assistance or contact Gazco on your behalf.



It is a requirement of the Building Regulations 2010 that the installation of this appliance is notified to the Local Authority. It is the responsibility of the GasSafe registered installer to carry out this notification to the Local Authority via the GasSafe register Competent Persons Scheme in England and Wales (different rules apply in Scotland and Northern Ireland).

When the installation has been notified, GasSafe will send a Building Regulations Compliance Certificate to you containing details of the work completed. Please ensure that the person responsible for the installation of this appliance completes this notification and records it in the Appliance Commissioning Checklist on page 3.

**IT IS YOUR RESPONSIBILITY TO COMPLY WITH THE BUILDING REGULATIONS AND BE ABLE TO PRODUCE THIS CERTIFICATE SHOULD IT BE REQUIRED IN THE FUTURE.**

# Appliance Commissioning Checklist

To assist us in any guarantee claim please complete the following information:-

## IMPORTANT NOTICE

Explain the operation of the appliance to the end user, hand the completed instructions to them for safe keeping, as the information will be required when making any guaranteed claims.

FLUE CHECK	PASS	FAIL
1. Flue Is correct for appliance		
2. Flue flow Test N/A		
3. Spillage Test N/A		
GAS CHECK		
1. Gas soundness & let by test		
2. Standing gas pressure	mb	
3. Appliance working pressure (on High Setting) Minimum Pressure Requirement: NG - 17.5mbar LPG - 34.5mbar NB All other gas appliances must be operating on full	mb	
4. Gas rate	m <sup>3</sup> /h	
5. Does Ventilation meet appliance requirements N/A		
SAFETY CHECK		
1. Check soundness of the Thermocouple connections - including tightness and lead integrity		
2. Glass checked to ensure no damage, scratches, scores or cracks		
3. Glass frame secured correctly and all screws replaced		
BUILDING CONTROL NOTIFICATION	YES	NO
1. Installer notified GasSafe/Local Authority of installation via Competent Persons Scheme?		

<b>Retailer</b> .....	<b>Installation Company</b> .....
.....	.....
.....	.....
<b>Contact No.</b> .....	<b>Engineer</b> .....
<b>Date of Purchase</b> .....	<b>Contact No.</b> .....
<b>Model No.</b> .....	<b>GasSafe Reg No.</b> .....
<b>Serial No.</b> .....	<b>Date of Installation</b> .....
<b>Gas Type</b> .....	

# User Instructions

## Welcome

*Congratulations on purchasing your Riva2 fire, if installed correctly Gazco hope it will give you many years of warmth and pleasure for which it was designed.*

*The purpose of this manual is to familiarise you with your appliance, and give guidelines for its installation, operation and maintenance. If, after reading, you need further information, please do not hesitate to contact your Gazco retailer.*

## WARNING



**In the event of a gas escape or if you can smell gas, please take the following steps:**

- **Immediately turn off the gas supply at the meter/emergency control valve**
- **Extinguish all sources of ignition**
- **Do not smoke**
- **Do not operate any electrical light or power switches (On or Off)**
- **Ventilate the building(s) by opening doors and windows**
- **Ensure access to the premises can be made**

**Please report the incident immediately to the National Gas Emergency Service Call Centre on 0800 111 999 (England, Scotland and Wales) , 0800 002 001 (N. Ireland) or in the case of LPG, the gas supplier whose details can be found on the bulk storage vessel or cylinder.**

**The gas supply must not be used until remedial action has been taken to correct the defect and the installation has been recommissioned by a competent person.**

## 1. General

- 1.1 Installation and servicing must only be carried out by a competent person whose name appears on the GasSafe register. To ensure the engineer is registered with GasSafe they should possess an ID Card carrying the following logo:



- 1.2 In all correspondence, please quote the appliance type and serial number, which can be found on the data badge located on a plate attached to the lower slotted trim or on the Commissioning Checklist on Page 3.

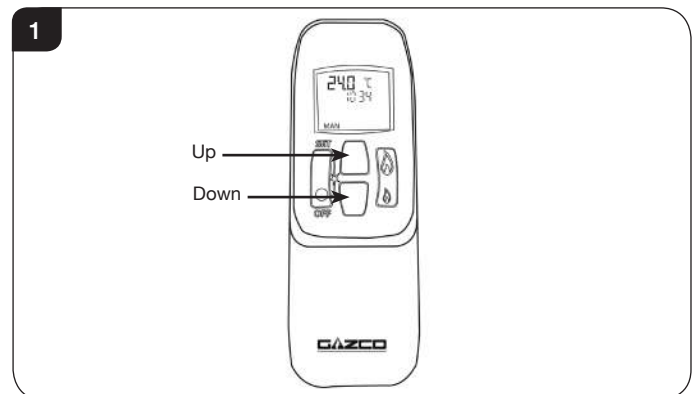
- 1.3 Do not place curtains above the appliance: You must have 300mm clearance between the appliance and any curtains at either side.
- 1.4 No furnishings or other objects should be placed within 1 metre of the front of the appliance.
- 1.5 If a shelf is fitted, a distance of 400mm above the appliance is required.
- 1.6 If any cracks appear in the glass panel do not use the appliance until the panel has been replaced.
- 1.7 If, for any reason, the flue has to be removed from the appliance, the seals must be replaced in the inner spigot.
- 1.8 Do not obstruct the flue terminal in any way, i.e. by planting flowers, trees, shrubs etc. in the near vicinity, or by leaning objects against the terminal guard.
- 1.9 Do not put any objects on the terminal guard; it will lose its shape.
- 1.10 If you use a garden sprinkler, do not let quantities of water into the flue terminal.
- 1.11 This product is guaranteed for 5 years from the date of installation, as set out in the terms and conditions of sale between Gazco and your local Gazco retailer. Please consult with your local Gazco retailer if you have any questions. In all correspondence always quote the Model Number and Serial Number.



**IMPORTANT: NEVER position a television or screen above this appliance.**

## 2. Operating the Appliance

The appliance is operated by thermostatic remote control.



- 2.1 **Turning the appliance On**  
Your remote can control the gas appliance from pilot ignition through to shut down.

To turn the appliance on press the OFF button and the UP button simultaneously. You hear several short signals.  
**The pilot and main burner ignite and the remote is now in Manual Mode:**

# User Instructions

**i** **IMPORTANT: YELLOW FLAMES TYPICALLY APPEAR WHEN THE APPLIANCE HAS REACHED NORMAL OPERATING TEMPERATURE. THIS CAN TAKE UP TO 30 MINUTES.**

**!** **WARNING: IF THE APPLIANCE FAILS TO LIGHT OR BECOMES EXTINGUISHED IN USE, WAIT 3 MINUTES BEFORE ATTEMPTING TO RELIGHT.**

2.2 There are 3 different modes available for controlling and operating the appliance:

1. Manual Mode
2. Temp Mode (Automatic)
3. Timer Mode (Automatic)

2.3 In **MANUAL MODE** you can:

- turn on the main burner using the UP button
- regulate the flame from high to low and back
- turn off the burner leaving just the pilot burning

In **TEMP MODE (Automatic)** you can:

- set the room temperature so the thermostat in the remote automatically maintains that temperature

In **TIMER MODE (Automatic)** the appliance:

- turns on and off according to the set time periods
- automatically regulates the room temperature during the set periods

**i** **NOTE: When operating the appliance in Temp or Timer mode, the pilot remains lit and the appliance then automatically switches on at programmed times to bring the room to the set temperature whether or not you are in the room. NEVER LEAVE ANY COMBUSTIBLE MATERIALS WITHIN 1 METRE OF THE FRONT OF THE APPLIANCE.**

## Switching Between Modes

2.4 Press the SET button to change to Temperature Mode. Press again to change to Timer Mode. Keep pressing to run through all operating modes. These are:

- MAN
  - DAY TEMP
  - NIGHT TEMP
  - TIMER
- and back to MAN

**NOTE: MAN mode can also be reached by pressing either the UP or DOWN button.**

## Manual Mode

2.5 Press the OFF button and the UP button simultaneously. You hear several clicks and audible beeps as the appliance begins the ignition process, (up to 30 seconds).

### Turning the appliance Off:

Press the OFF button to turn the appliance off.

**FOR SAFETY, YOU MUST WAIT 30 SECONDS BEFORE LIGHTING THE APPLIANCE AGAIN.**

### Increasing the Flame Height:

Press the UP button once to increase flame height one stage. Press and hold the UP button to increase to maximum.

### Decreasing the Flame Height:

Press the DOWN button once to decrease flame height one stage. Press and hold the DOWN button to decrease to minimum. At the lowest point the appliance goes to 'Standby Mode' (Only Pilot lit).

**i** **NOTE: While pressing a button a symbol indicating transmission appears on the display. The receiver confirms transmission with a sound signal.**

## Temp Mode (Automatic)

2.6 The display shows the current **room** temperature.

To increase or decrease the appliance's output:

Press the SET button to select either the DAY TEMP or the NIGHT TEMP mode by briefly pressing the SET button.

Hold the SET button until the TEMP display flashes and then let go.

Set the desired temperature with the UP and DOWN arrows. (Minimum temperature 5C, maximum 40C or 40F to 99F when Fahrenheit is the preferred option).

Press the OFF button to stop the display flashing or wait to return to TEMP mode.

**i** **NOTE: If you set a temperature that is beneath the current room temperature, the appliance automatically switches to PILOT (Stand by).**

**If you would like the Night temperature control to turn off then decrease the temperature until [--] is displayed.**

# User Instructions

## Timer Mode (Automatic)

2.7 There are two programmable settings you can make over a 24 hour period, P1 and P2. These are normally used to provide an early morning and evening setting for each working week:

- P1 + ● = Start Timed Setting 1
- P1 + ⤴ = End of Timed Setting 1
- P2 + ● = Start Timed Setting 2
- P2 + ⤴ = End of Timed Setting 2

### 2.8 P1 - Program 1 for a Timed Setting

Press the SET button until the TIMER mode is displayed.

Hold the SET button. The displays flashes the current time for P1. **While the time displayed is flashing you can alter the hours and minutes set.**

To set the time your appliance first lights, change P1 ●

- Press the UP button to alter the hour
- Press the DOWN button to alter the minutes in 10 minute increments.

Press SET again to move to the end setting for P1 ⤴ This is the time your appliance first shuts down:

- Press the UP button to alter the hour
- Press the DOWN button to alter the minutes

### 2.9 P2 - Program 2 for a Timed Setting

Use the same steps outlined in 2.8 to change the setting for P2.  
If you have already set P1 and want to alter the setting for P2 only:

- Press the SET button until TIMER mode is displayed.
- Hold the SET button **until the display flashes the current time** for P1 ●
- Press the SET button once again to scroll past the settings for P1 ● and P1

With the time still flashing:

- Press the UP button to alter the hour
- Press the DOWN button to alter the minutes

Once all four times are set press the OFF button.

2.10 To view existing settings:

- Select Timer Mode
- Press and briefly hold the SET button you see the start time for P1
- Repeat the above step for the start and end of each program

### Low Battery

“BATT” is displayed on the remote when its batteries need replacement.

## Setting the time

Simultaneously press the up and down buttons.

Press the up button to set the hour and the down button to set the minutes.

Press OFF to return to the manual mode or simply wait.

## Setting the °C/24 Hour or °F/12 Hour clock

Press OFF and the down arrow until the display changes from °C/24 hour clock to °F/12 hour clock and vice versa.



**If the remote is removed, lost or damaged, signals transmitted to the receiver cease. Your appliance will go to standby (pilot) mode after 6 hours.**

## Troubleshooting



**IMPORTANT: In the unlikely event that the handset fails to communicate correctly with the appliance it may be necessary to turn off the gas supply at the isolation valve until any problems can be resolved.**

The gas meter and isolation valve can be located outside in a meter box, under the stairs, beneath the kitchen sink or in the garage. Whilst this list is not exhaustive, it is important to be able to identify the location of the valve in case of any gas emergency.

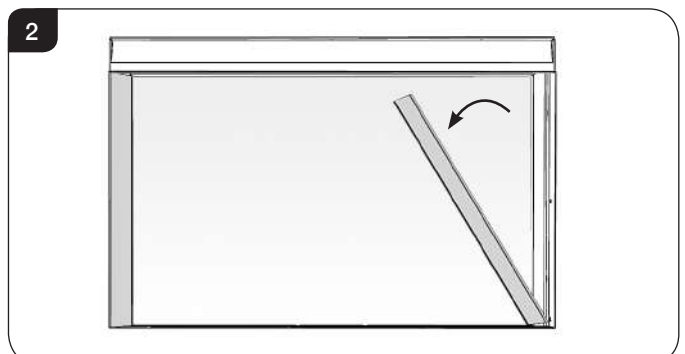
To turn off the gas supply, simply turn the handle so the lever is at 90 degrees to the upright gas pipe.

If you smell gas, open doors and windows and never operate any electrical switches. Immediately call the Gas Emergency Services on 0800 111 999.

## 3. Changing the Appliance Batteries

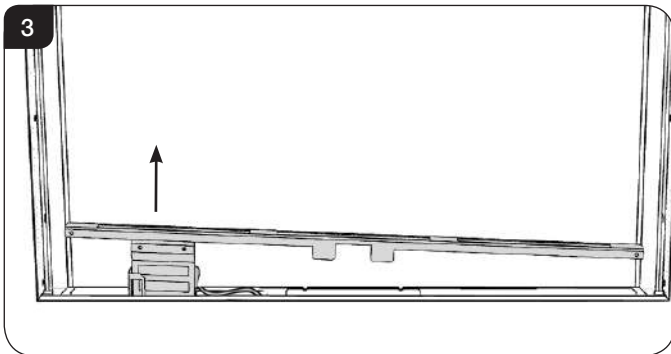
The appliance batteries are located on a bracket attached to the lower slotted trim.

- 3.1 Make sure the appliance and surrounds are cool before removing the batteries.
- 3.2 Remove the 2 side trims, see Diagram 2. These are held on by magnets.

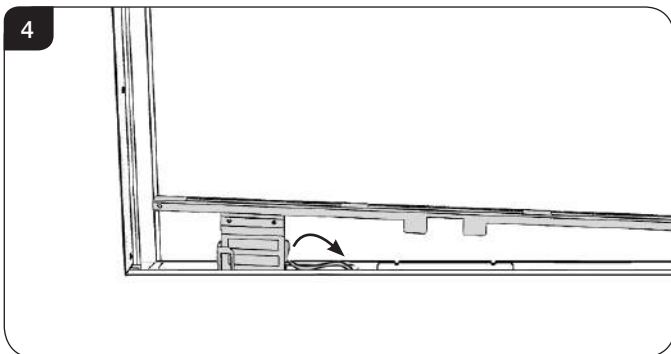


# User Instructions

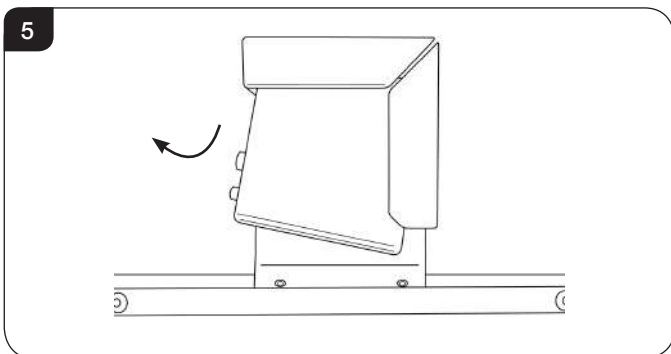
- 3.3 Lift out the bottom slotted trim, see Diagram 3.  
Note the orientation of the metal shield for reassembly.



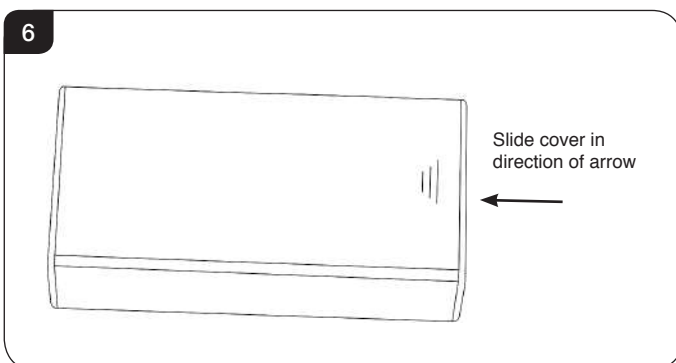
- 3.4 Disconnect the battery lead from the battery pack, see Diagram 4.



- 3.5 Remove the battery pack from the bracket, see Diagram 5.



- 3.6 Remove the cover by sliding off in the direction of the arrow as shown in Diagram 6.



- 3.7 Correctly position the four new AA size batteries into the battery holder.

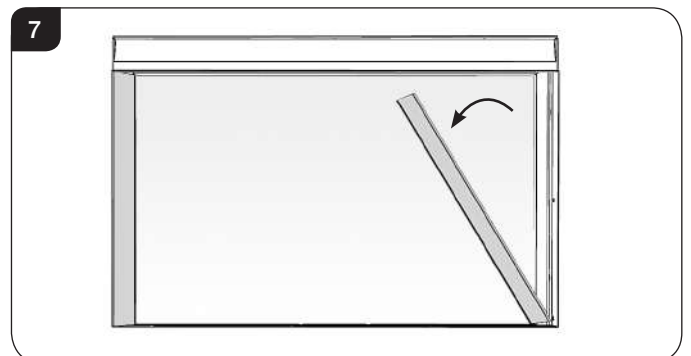
**i** It is essential to use high quality batteries (Duracell or equivalent) when replacing batteries in the handset or control box.

- 3.8 Re-assemble in reverse order.

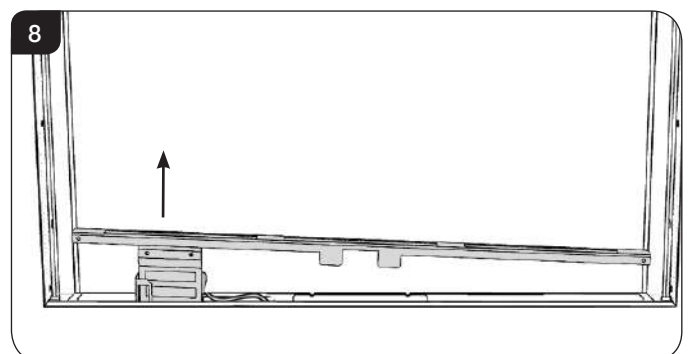
**!** PLEASE ENSURE NO WIRES ARE TRAPPED BEFORE REPLACING THE LOWER SLOTTED TRIM. THE LEADS ARE EASILY DAMAGED.

## 4. Cleaning the Appliance

- 4.1 Make sure the appliance and surrounds are cool before cleaning.
- 4.2 If a decorative front has been fitted to the appliance, please remove by referring to the separate instructions supplied.
- 4.3 Remove the glass frame by removing the 2 side trims, see Diagram 7. These are held on by magnets.



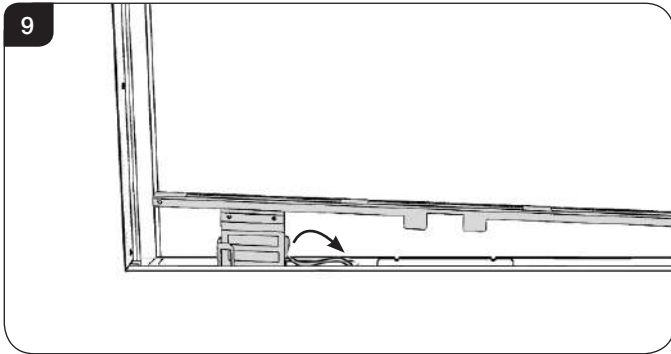
- 4.4 Lift out the bottom slotted trim, see Diagram 8.  
Note the orientation of the metal shield for reassembly.



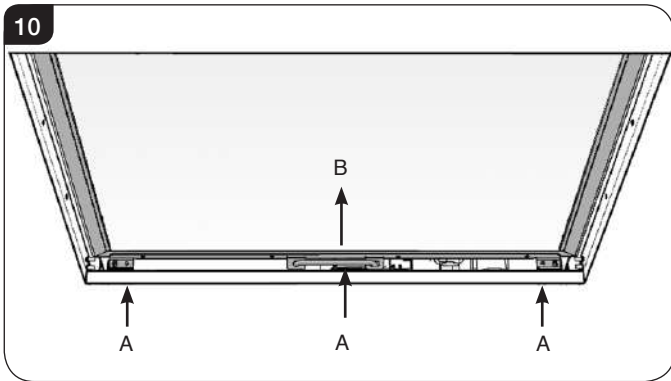


# User Instructions

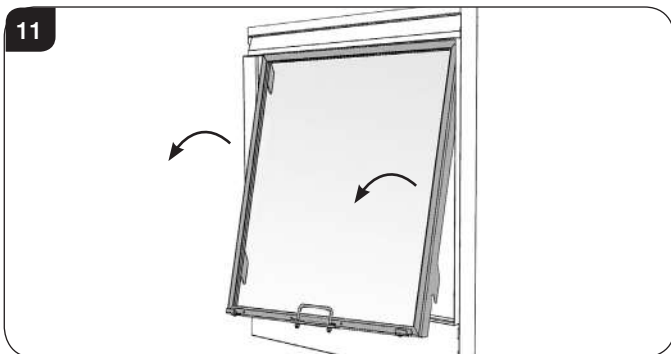
- 4.5 Disconnect the battery lead from the battery pack attached to the lower slotted trim, see Diagram 9.



- 4.6 Remove the screws at the base of the glass frame, see Diagram 10 A.



- 4.7 Pull up the handle at the front, see Diagram 10 B.  
4.8 Whilst supporting the top, lift the glass frame using the handle, up and over the lower edge, see Diagram 11.

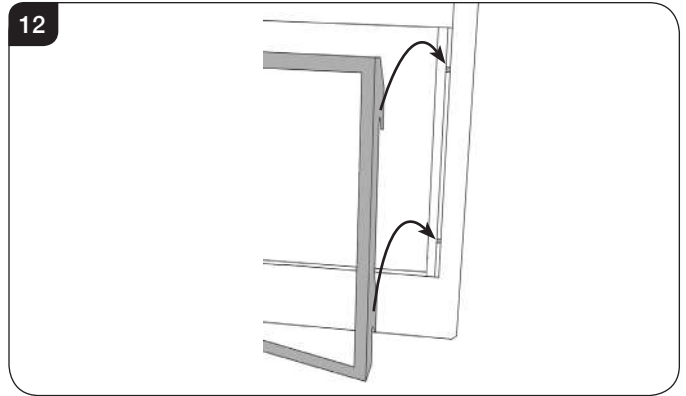


- 4.9 Remove the logs and Embaglow and place on a dry, clean surface.  
4.10 The logs should not require cleaning. Do not use a vacuum cleaner or brush to clean the logs, any large pieces of debris may be removed by hand.  
4.11 Ensure any debris is removed from the burner ports.  
4.12 Use a damp cloth to clean the outer casing of the appliance.  
4.13 To clean the glass surface use a non abrasive glass cleaner and soft cloth.

- 4.14 The glass frame must be refitted to the appliance following cleaning or servicing.

**Ensure that the rope seal on the back of the glass frame is intact.**

- 4.15 To replace the glass frame, position so the hooks on the back of the frame fit over the side pins, see Diagram 12.



- 4.16 Push the handle down.  
4.17 Replace the screws. As the screws are tightened the glass frame is pulled down against the hooks and forms a seal. **Replace ALL of the securing screws ensuring that a screw is present in all fixing slots.**



**UNDER NO CIRCUMSTANCES SHOULD THE APPLIANCE BE USED IF ANY OF THE GLASS FRAME RETAINING SCREWS ARE LOOSE OR MISSING**

- 4.18 Connect the battery lead to the battery pack attached to the lower slotted trim.



**PLEASE ENSURE NO WIRES ARE TRAPPED BEFORE REPLACING THE LOWER SLOTTED TRIM. THE LEADS ARE EASILY DAMAGED.**

- 4.19 Replace the lower trim, ensuring that the angled metal shield is sloping towards the door frame.  
4.20 Replace the 2 magnetic side trims.

**NEVER OPERATE THE APPLIANCE WHEN THE GLASS FRAME IS REMOVED OR BROKEN.**

- 4.21 Replace the decorative front by referring to the separate instructions supplied with the front.

**NOTE: ENSURE THAT THE LOGS ARE POSITIONED CORRECTLY, SEE SECTION 5. ONLY USE THE CORRECT AMOUNT OF LOGS AS SPECIFIED IN THE DIAGRAMS.**



# User Instructions

## Advice on handling and disposal of fire ceramics



The fuel effect and side panels in this appliance are made from Refractory Ceramic Fibre (RCF), a material which is commonly used for this application.

Protective clothing is not required when handling these articles, but we recommend you follow normal hygiene rules of not smoking, eating or drinking in the work area and always wash your hands before eating or drinking.

To ensure that the release of RCF fibres are kept to a minimum, during installation and servicing a HEPA filtered vacuum is recommended to remove any dust accumulated in and around the appliance before and after working on it. When servicing the appliance it is recommended that the replaced items are not broken up, but are sealed within heavy duty polythene bags and labelled as RCF waste.

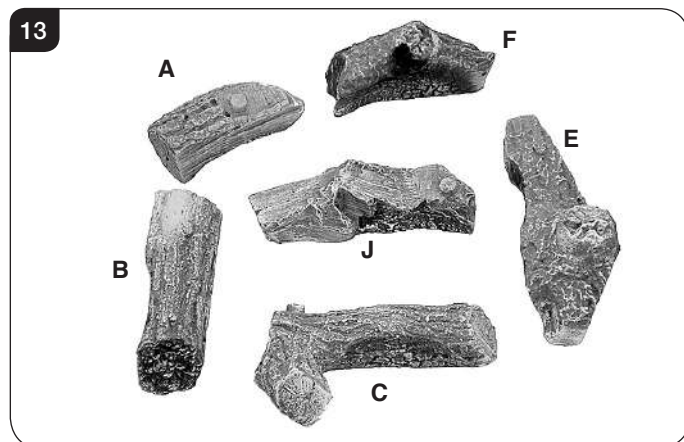
RCF waste is classed as stable, non-reactive hazardous waste and may be disposed of at a licensed landfill site.

Excessive exposure to these materials may cause temporary irritation to eyes, skin and respiratory tract; wash hands thoroughly after handling the material.

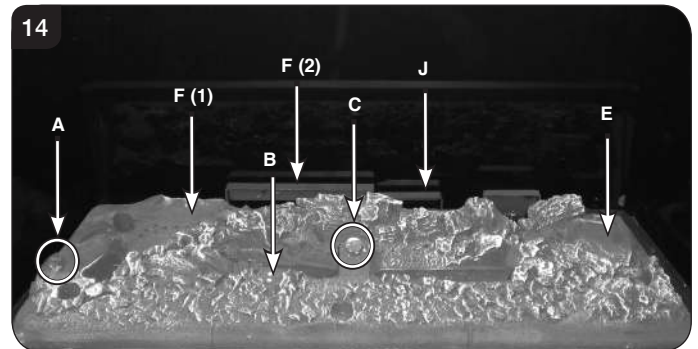
## 5. Arrangement of Fuel Bed Components

**LOGS MUST BE POSITIONED ACCORDING TO THE FOLLOWING INSTRUCTIONS TO GIVE THE CORRECT FLAME EFFECT.**

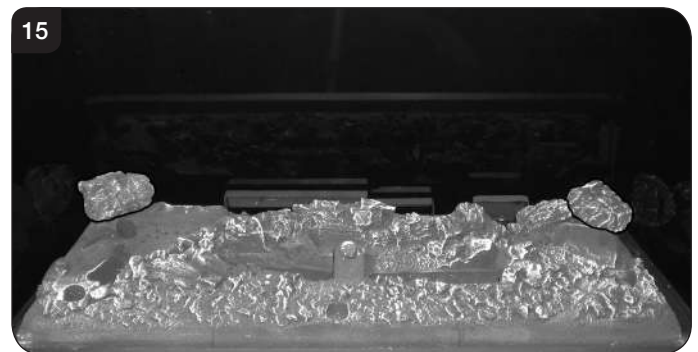
- 5.1 Ensure the burner tray is clean and free from any debris.
- 5.2 The logs for the fuel bed are clearly individually labelled, see Diagram 13.



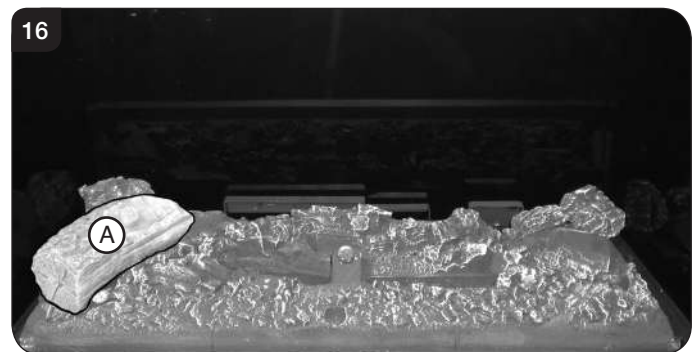
- 5.3 There are raised studs and flat surfaces on the emberbed to locate the logs, see Diagram 14.



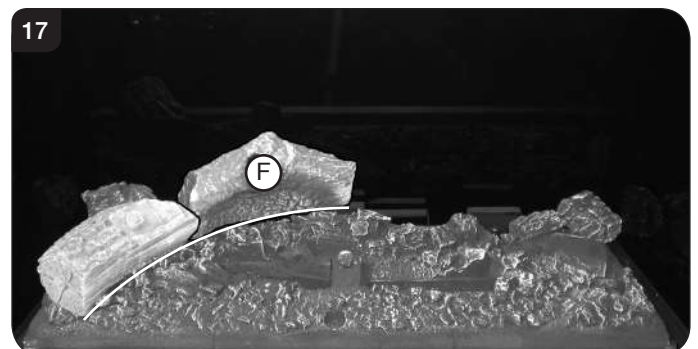
- 5.4 Place the 2 large embers in the rear corners of the emberbed, see Diagram 15.



- 5.5 Place the front of Log A on the raised stud on the left hand side of the emberbed. The log follows the flat surface on the emberbed, see Diagrams 14 & 16.

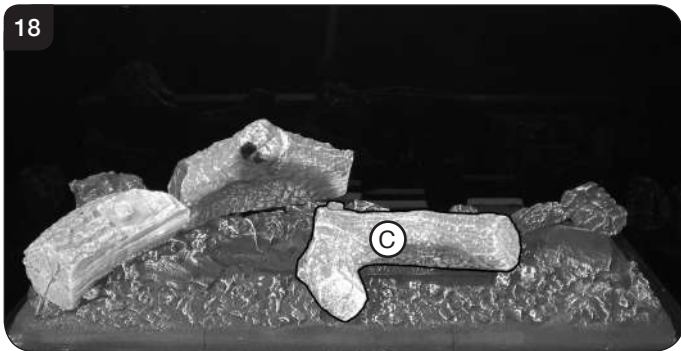


- 5.6 Place Log F behind Log A. The rear edge of Log A locates in the cutout at the front of Log F. Log F should create a continuous curve with Log A, touching the rear panel and resting on rear bracket, see Diagrams 14 & 17.

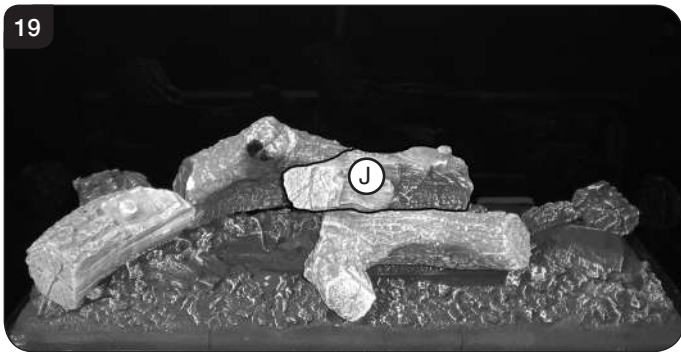


# User Instructions

- 5.7 Place Log C on the raised stud in the centre of the emberbed, with the right end resting in the groove, see Diagrams 14 & 18.



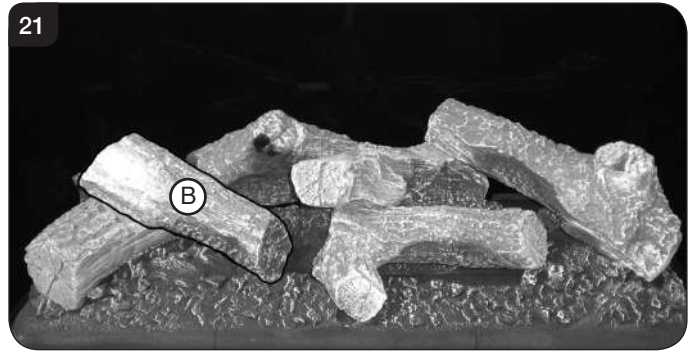
- 5.8 Place the front of Log J on the raised stud on Log C. The back of the log rests on the lower section of the rear bracket and touches the rear panel, see Diagram 19.



- 5.9 Place the rear of the Log E on the raised stud on Log J. The right hand side rests on the flat surface on the emberbed, see Diagrams 14 & 20.



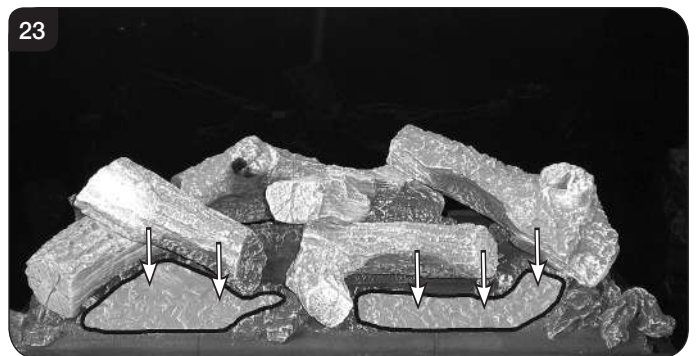
- 5.10 Log B locates on the raised stud on Log A and rests on the flat surface on the emberbed, see Diagrams 14 & 21.



- 5.11 Place the 5 small embers in the locations shown in Diagrams 22.



- 5.12 Sparingly spread an amount of the Embaglow fibres provided, covering the ports in the burner tray, see Diagram 23. Ensure the material is placed loosely to create a random glow. Take care not to use more than half a packet per application. **WARNING - DO NOT PLACE NEAR THE PILOT AREA.**



# User Instructions

## 6. Flame Failure Device

- 6.1 This is a safety feature incorporated on this appliance which automatically switches off the gas supply if the pilot goes out and fails to heat the thermocouple.

**IF THIS OCCURS DO NOT ATTEMPT TO RELIGHT THE APPLIANCE FOR 3 MINUTES.**

## 7. Running In

- 7.1 During initial use of a new Gazco appliance a strong odour will be encountered as various surface coatings become hot for the first time. Although these odours are harmless it is recommended that the appliance is operated on maximum for 4 to 8 hours in order to fully burn off these coatings. After this period the odours should then disappear.

If the odours persists, please contact your installer for advice.

- 7.2 During the first few hours of burning there may be discolouration of the flames. This will also disappear after a short period of use.

## 8. Servicing

- 8.1 The appliance must be serviced every 12 months by a qualified Gas Engineer. In all correspondence always quote the Model number and the Serial number which may be found on the Commissioning Checklist (Page 3).

## 9. Ventilation

- 9.1 This appliance requires no additional ventilation.

## 10. Installation Details

- 10.1 Your installer should have completed the commissioning sheet at the front of this book. This records the essential installation details of the appliance. In all correspondence always quote the Model number and Serial number.

## 11. Hot Surfaces

- 11.1 Parts of this appliance become hot during normal use.  
11.2 Regard all parts of the appliance as a working surface.  
11.3 Provide a suitable fire guard to protect young children and the infirm.

24

■ = Hot Surface



## 12. Appliance will not light

If you cannot light the appliance:

- 12.1 Check and change the batteries in the remote handset.  
12.2 Check and change the appliance batteries (see Section 3).  
12.3 Consult your Gazco retailer or installer if the appliance still does not light.

# Installation Instructions

## Technical Specification

Covering the following models:

Riva2 600 Nat Gas	Riva2 600 LPG
134-134	134-702

Model	Gas CAT.	Gas Type	Working Pressure	Aeration	Injector	Gas Rate m <sup>3</sup> /h	Input kW (Gross)		Country
							High	Low	
Riva2 600	I <sub>2H</sub>	Natural Gas G20	20mbar	2 x 6.5 mm Ø	410	0.610	6.4	4.4	GB, IE
Riva2 600	I <sub>3P</sub>	Propane G31	37mbar	N/A	200	0.252	6.7	4.4	GB, IE
<b>Efficiency Class 1 - 92% / NO<sub>x</sub> Class 4</b>									
Flue Outlet Size Ø 100mm									
Flue Inlet Size Ø 152mm Ø									
Gas Inlet Connection Size Ø 8mm									

### RESTRICTOR REQUIREMENT - VERTICAL & HORIZONTAL FLUE SPECIFICATION

#### Riva2 600 - Nat Gas

Vertical flue height from top of appliance	Horizontal length	Restrictor size
500mm - 999mm	Up to 1000mm	N/A
1000mm - 1499mm	Up to 3000mm	N/A
1500mm - 3000mm	Up to 3499mm	70mm
1500mm - 3000mm	3500mm - 6000mm	N/A

### RESTRICTOR REQUIREMENT - VERTICAL & HORIZONTAL FLUE SPECIFICATION

#### Riva2 600 - LPG

Vertical flue height from top of appliance	Horizontal length	Restrictor size
500mm - 999mm	Up to 1000mm	N/A
1000mm - 1499mm	Up to 3000mm	N/A
1500mm - 2499mm	Up to 2999mm	70mm
1500mm - 2499mm	3000mm - 6000mm	N/A
2500mm - 3000mm	Up to 2499mm	60mm
2500mm - 3000mm	2500mm - 3499mm	70mm
2500mm - 3000mm	3500mm 6000mm	N/A

### TOP EXIT - VERTICAL ONLY INCLUDING OFFSET

#### Riva2 600 - Nat Gas

Vertical flue height from top of appliance	Restrictor size
1500mm - 2999mm	52mm
3000mm - 10000mm	47mm

### TOP EXIT - VERTICAL ONLY INCLUDING OFFSET

#### Riva2 600 - LPG

Vertical flue height from top of appliance	Restrictor size
2000mm - 2999mm	52mm
3000mm - 10000mm	47mm

# Installation Instructions

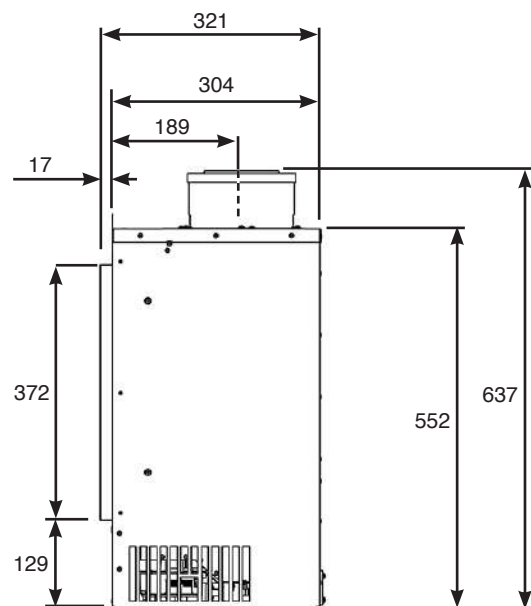
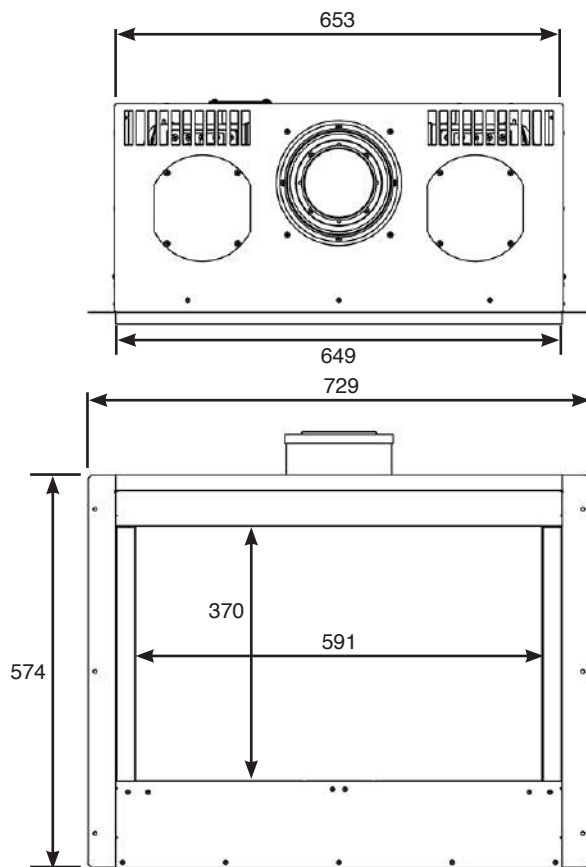
## Technical Specification

**i** The net efficiency of this appliance has been measured as specified in EN613:2001 and the result after conversion to gross using the appropriate factor from Table E4 of SAP 2012 is 82.8% (Nat Gas) and 84.7% (LPG). The test data has been certified by Kiwa Nederland BV. The gross efficiency value may be used in the UK Government's Standard Assessment Procedure (SAP) for energy rating of dwellings.

This appliance has been certified for use in countries other than those stated. To install this appliance in these countries, it is essential to obtain the translated instructions and in some cases the appliance will require modification. Contact Gazco for further information.

### PACKING CHECKLIST

Qty	Description	Fixing kit containing
1 x	Cassette and burner assembly	1 x Instruction manual
1 x	Lining Set	6 x Woodscrews
1 x	Log set (6 logs)	6 x Wall plugs
		1 x Self adhesive foam strip
		1 x Handset
		4 x AA cell batteries
		1 x 9v cell battery
		1 x Battery Holder





# Installation Instructions

## Site Requirements

### 1. Flue and Chimney Requirements

**Note: This appliance must only be installed with the flue supplied.**

You must adhere to the following:

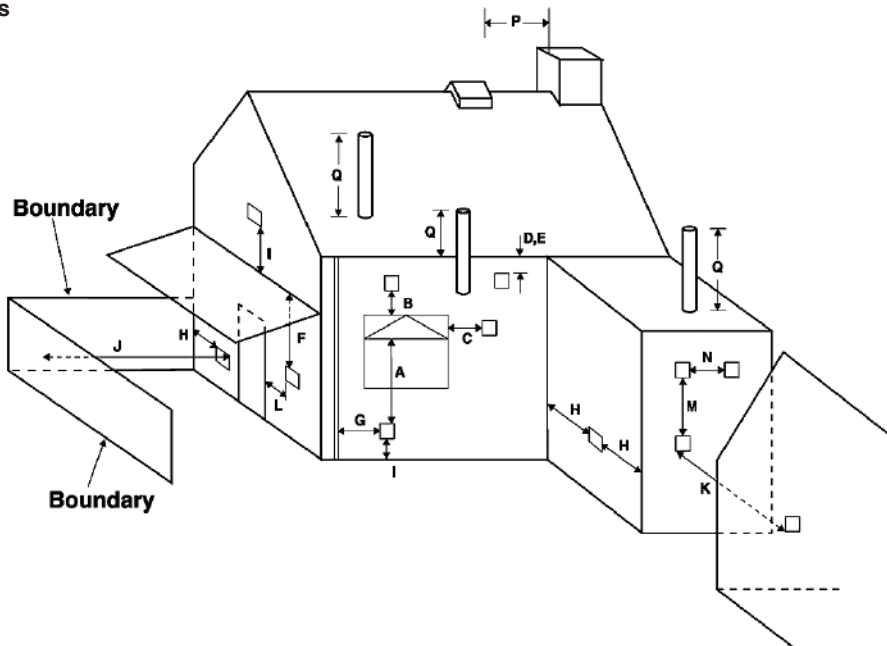
- 1.1 The flue must be sited in accordance with BS5440: Part 1 (latest edition), see Diagram 1.
- 1.2 Fit a guard to protect people from any terminal less than 2 metres above any access such as level ground, a balcony or above a flat roof.
- 1.3 All horizontal flues must be securely fixed and fire precautions followed in accordance with local and national codes of practice.
- 1.4 A restrictor may be required. Refer to Technical Specifications on page 12.

### 2. Timber Framed Buildings

- 2.1 To prevent a fire hazard, you must provide additional clearance when the appliance passes through a wall containing any combustible materials.
- 2.2 A steel sleeve must be inserted into the hole through which the flue passes to give an air gap of 25mm between the sleeve and any outside surface of the flue.
- 2.3 Contact your local buildings authority for further guidance on installing gas fires in timber framed buildings.

**Note: Make sure you provide adequate clearance at the sides and back of the appliance for servicing access.**

#### 1 UK Dimensions



Dimension	Terminal Position	Minimum Distance
A*	Directly below an opening	600mm
B*	Above an opening	300mm
C*	Horizontally next to an opening	400mm
D	Below gutters, soil pipes or drain pipe	300mm
E	Below eaves	300mm
F	Below balcony or car port roof	600mm
G	From a vertical drain pipe or soil pipe	300mm
H	From an internal or external corner or to a boundary alongside the terminal	600mm
I	Above ground, roof or balcony level	300mm

Dimension	Terminal Position	Minimum Distance
J	From a surface or boundary facing the terminal	600mm
K	From a terminal facing the terminal	600mm
L	From an opening in the car port (e.g. door, window) into the dwelling	1200mm
M	Vertically from a terminal on the same wall	1200mm
N	Horizontally from a terminal on the same wall	300mm
P	From a structure on the roof	600mm
Q	Above the highest point of intersection with the roof	300mm

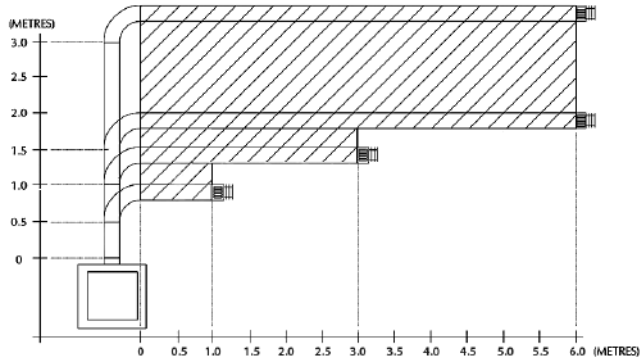
\* In addition, the terminal should not be nearer than 300mm to an opening in the building fabric formed for the purpose of accommodating a built-in element such as a window frame.

# Installation Instructions

## Site Requirements

### 3. Flue Options

2a



Start of bend to centre line of horizontal flue 170mm. Centre line of vertical flue to end of bend 220mm.

### 3A. Top Flue Up and Out Kit 8509/ 8509AN

3.1 Vertical from the top of the appliance then horizontally out, see Diagram 2a. The basic kit comprises:

- 1 x 500mm terminal length
- 1 x 200mm vertical length
- 1 x 90 degree elbow
- 1 x 500mm vertical length
- 1 x wall plate
- 1 x 60mm restrictor
- 1 x 70mm restrictor
- 1 x 75mm restrictor
- 4 x fixing screw

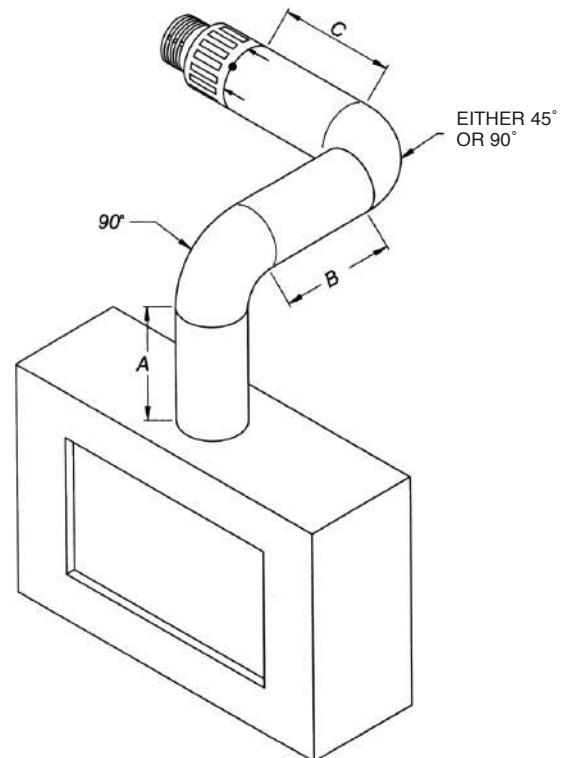
This kit provides the minimum materials. Extra lengths can be added to the vertical and horizontal sections; see Section 3.

Refer to Installation Instructions, Technical Specification on page 12 to identify when to use a restrictor.

### 3B. Top Flue Up and Out with Additional Bend

3.2 Any additional bend may be used on the horizontal section (either 45° or 90°), but the overall horizontal flue run will be reduced. Refer to Diagram 2b.

2b



When A = 1.0 to 1.499 metres B + C = 1.0 metres maximum  
When A = 1.499 metres to 3.0 metres B + C = 4.0 metres maximum

### 3C. Top Flue Vertical Kit (999-539/ 999-539AN)

3.3 Vertical from the top of the appliance, see Diagram 2c. The basic kit comprises:

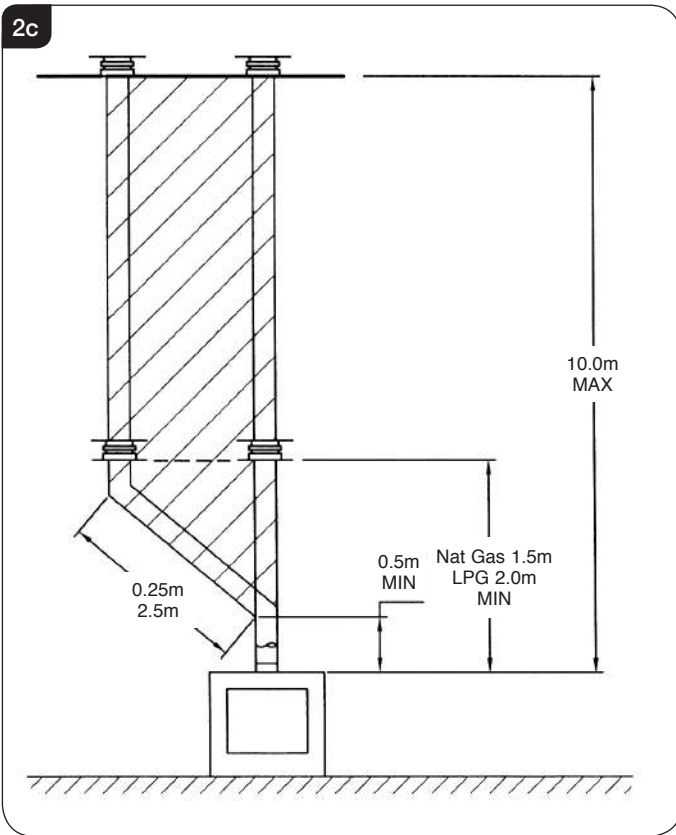
- 2 x 1m lengths
- 1 x 1m terminal length
- 1 x 70mm restrictor
- 1 x 60mm restrictor
- 1 x 52mm restrictor
- 1 x 47mm restrictor

Extra lengths may be added from the table in Section 3.



# Installation Instructions

## Site Requirements



### 3D. Top Flue Vertical Offset Kit (8530/8530AN)

- 3.4 Used with kit 8524. A minimum rise of 500mm (19 1/2") is required to the first bend, see Diagram 2c.

### 4. Optional Extra Flue Lengths and Bends

All flue components are 150mm diameter (6")

NOMINAL LENGTH	ACTUAL LENGTH	STAINLESS FINISH	ANTHRACITE FINISH
200mm	140mm	8527	8527AN
500mm	440mm	8528	8528AN
1000mm	940mm	8529	8529AN
40° Bend	N/A	8507	8507AN
90° Bend	N/A	8508	8508AN

**NOTE:** The following areas need careful consideration.

- Terminal positions
- Flue supports
- Weatherproofing
- Fire precautions

For all the above options, local and national codes of practice must be adhered to.

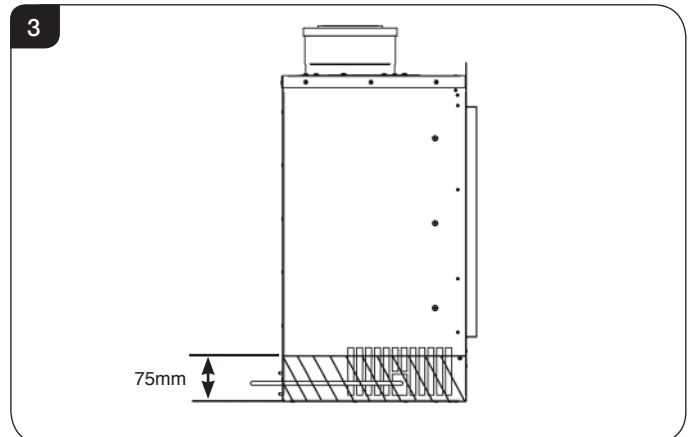
### 5. Chimney Renovation Kit (928-315)

Details of the Chimney Renovation Kit are available in the separate installation instructions - PR2073 Chimney Renovation Kit instructions.

### 6. Gas Supply

**THIS APPLIANCE IS INTENDED FOR USE ON A GAS INSTALLATION WITH A GOVERNED METER.**

- Before installation, ensure that the local distribution conditions (identification of the type of gas and pressure) and the adjustment of the appliance are compatible.
- Ensure that the gas supply is capable of delivering the required amount of gas and is in accordance with the rules in force.
- Soft copper tubing can be used to install the appliance. Soft soldered joints can be used externally of the appliance but must be restricted to the area shown in Diagram 3.



- This appliance is supplied complete with a factory fitted isolation device incorporated into the inlet connection, no further isolation device is required.
- All supply gas pipes must be purged of any debris that may have entered, prior to connection to the appliance.
- The gas supply enters through the silicone panel located on the LEFT-HAND side on the rear of the outer box. Slit with a sharp knife prior to passing the supply pipe through.
- The gas supply must be installed in a way that does not restrict the removal of the appliance for servicing and inspection.

# Installation Instructions

## Site Requirements

### 7. Ventilation

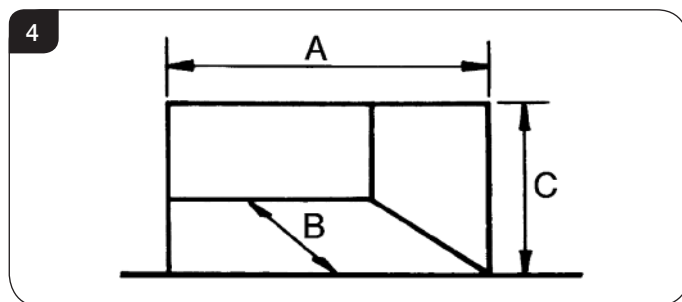
- 7.1 This appliance requires no additional ventilation.

### 8. Appliance Location

**i** If fitting this appliance with a decorative frame it cannot be installed with the base of the appliance less than 150mm from the floor level. The frame requires a minimum clearance to allow air to circulate.

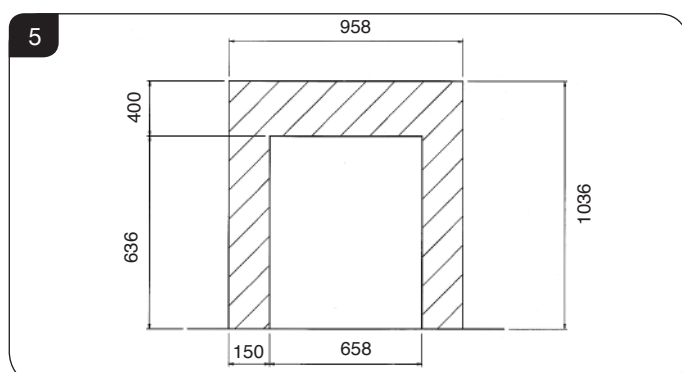
If this appliance is fitted less than 150mm from the floor, then it will require a hearth to protect the floor. The hearth should have a minimum dimension of 12mm thick, projecting 300mm in front and 150mm either side of the appliance.

- 8.1 The minimum opening dimensions are shown in Diagram 4.



DIMENSION	Riva2 600
A	668
B	329
C	646

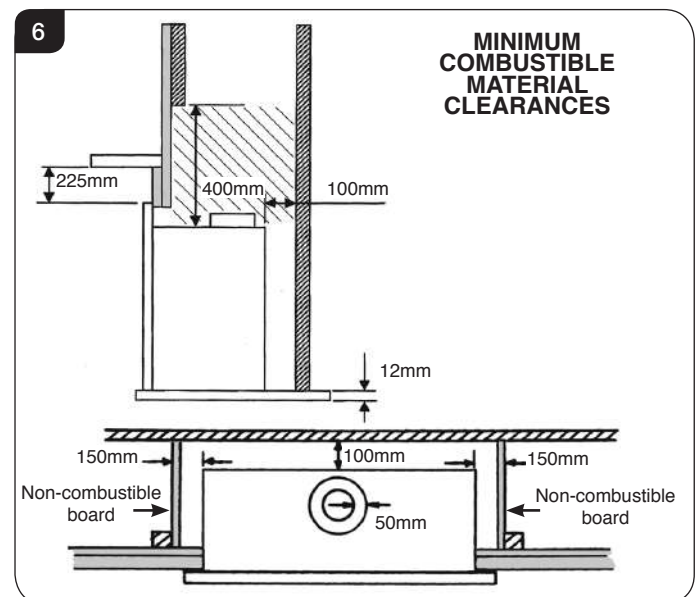
- 8.2 This appliance must not be installed in a room that contains a bath or shower.
- 8.3 **NOTE:** If using natural materials for the back panel of the fireplace, it is recommended that it is constructed from three or more sections to prevent cracking. Resin-based materials may not be suitable. This appliance is an effective heat producer and attention must be paid to the construction and finish of the fireplace.
- 8.4 This appliance is not suitable for installation onto a combustible wall; all combustible materials must be removed from the area shown in Diagrams 5.



### STUDWORK INSTALLATION

- 8.5 If a studwork installation is used (eg. wooden framework and plasterboard), combustible parts of the studwork must not be any closer than the minimum dimensions shown in the diagrams. NOTE: These dimensions must be maintained even if the combustible materials is protected by non-combustible linings.
- 8.6 Do not pack the void around or above the appliance with insulation materials such as mineral wool.
- 8.7 The void into which the cassette is fitted must be ventilated to prevent a build up of heat. If the void is sealed then it will be necessary to fit high level vents on both sides of the cavity of approximately 200cm<sup>2</sup> each. These vents should take cold air from the room and return warm air back into the room.
- 8.8 A removable access hatch must be left in the side of the chimney breast for future servicing and inspection of the appliance.
- 8.9 Build the studwork chimney breast to the desired size. Ensure that the clearances to combustible materials is maintained.

**PROTECT THE NEAREST STUDWORK WITH NON-COMBUSTIBLE MATERIAL AND MAINTAIN THESE DIMENSIONS AT ALL TIMES, SEE DIAGRAM 6.**



- 8.10 It is recommended that a marble slip or similar material is used when fitting cassette fireplaces into a plastered surface, in order to allow for heat dissipation. Also allow adequate time for newly plastered areas to dry out. Rapid drying can create cracks. If in doubt, seek the advice of a professional plasterer.
- 8.11 Parts of this appliance become hot during normal use. It is therefore recommended that a suitable fire guard be used for protection of young children and the infirm.

# Installation Instructions

## Site Requirements

### Masonry Installation

8.12 Please note this appliance has been primarily designed for studwork applications. However, there are circumstances where the appliance could be installed in a block or brickwork fireplace using different methods and materials for the final effect.

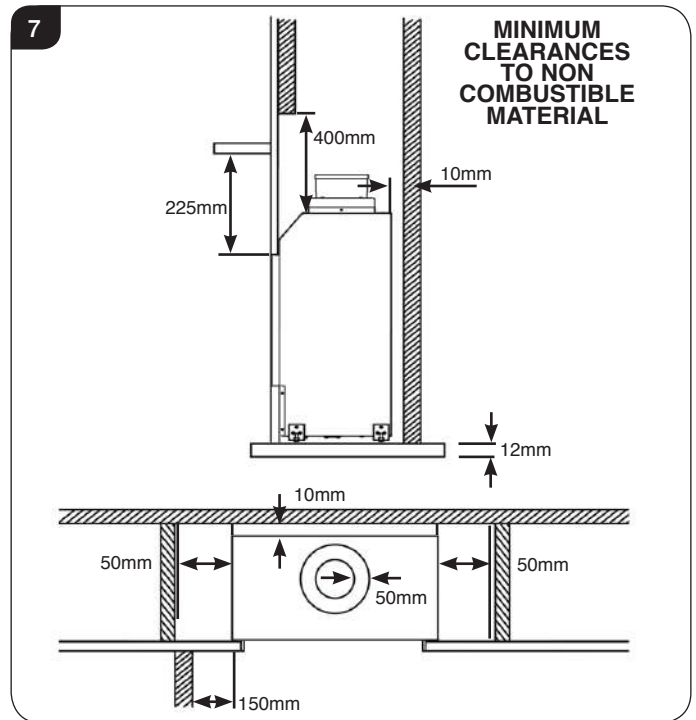
**THIS VOID MUST BE VENTED TO PREVENT HEAT BUILD UP AROUND THE APPLIANCE.**

8.13 This appliance is not suitable for installation onto a combustible wall. Remove all combustible material from the area shown, see Diagram 7.

8.14 Create a Builders Opening in chimney breast to the required size, see Diagram 8. Ensure that the clearances to combustible materials is maintained.

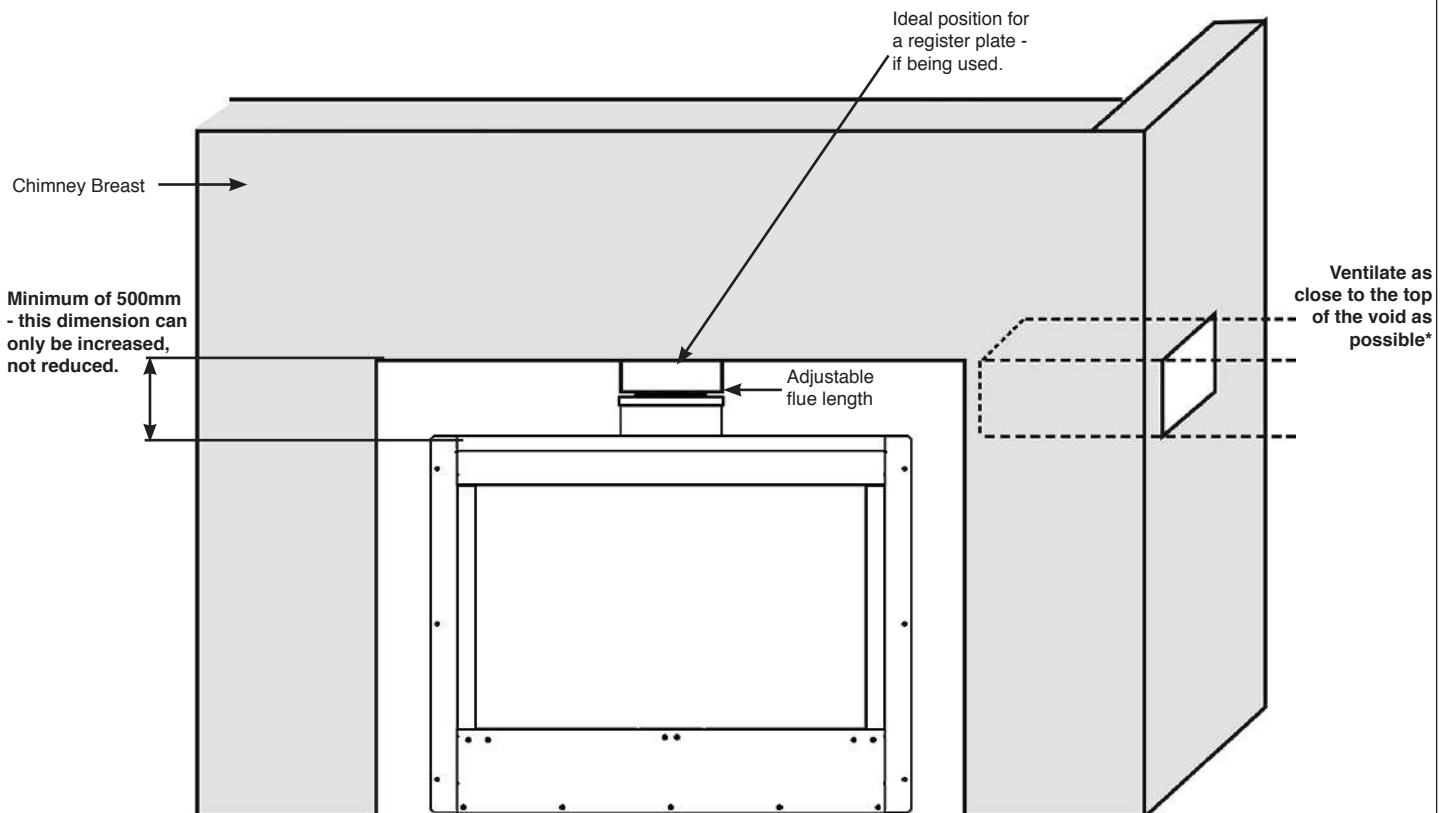
8.15 In addition to constructing the Builder's Opening to the required size each side must have a high vent of 200cm<sup>2</sup> to allow convection air to travel around the product.

**The high vents should be within the 500mm gap above.**



8

### Ideal Masonry Installation with Flue Renovation Kit



**\*BOTH SIDES MUST BE VENTILATED**

# Installation Instructions

## 1. Safety Precautions

- 1.1 For your own and other's safety, you must install this appliance according to local and national codes of practice. Failure to install the appliance correctly could lead to prosecution. **Read these instructions before installing and using this appliance.**
- 1.2 These instructions must be left intact with the user.
- 1.3 Do not attempt to burn rubbish on this appliance.
- 1.4 Keep all plastic bags away from young children.
- 1.5 Do not place any object on or near to the appliance and allow adequate clearance above the appliance.

**IF THE APPLIANCE IS EXTINGUISHED OR GOES OUT IN USE, WAIT 3 MINUTES BEFORE ATTEMPTING TO RELIGHT THE APPLIANCE.**



**IMPORTANT: REFER TO DATA BADGE AND TECHNICAL SPECIFICATION AT THE FRONT OF THE MANUAL TO ENSURE THE APPLIANCE IS CORRECTLY ADJUSTED FOR THE GAS TYPE AND CATEGORY APPLICABLE IN THE COUNTRY OF USE.**

**FOR DETAILS OF CHANGING BETWEEN GAS TYPES REFER TO SERVICING, SECTION 13, REPLACING PARTS.**

## Unpacking

- 1.6 Remove the appliance from its packaging, and check that it is complete and undamaged.

Put the loose ceramic parts to one side so that they are not damaged during installation.

## 2. Installation of the Appliance

- 2.1 There are 2 methods of installation:

**6a.** Edge finish Installation.

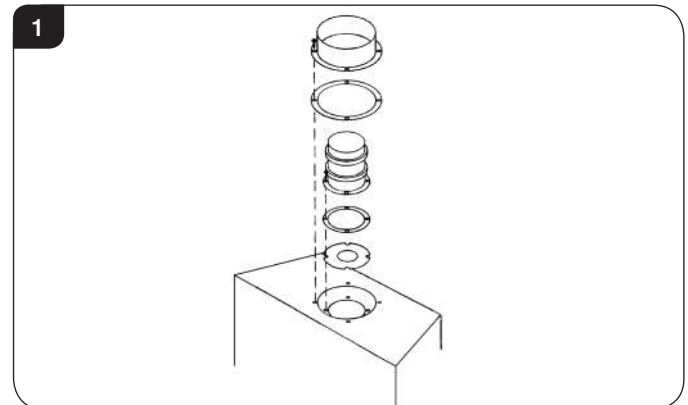
**6b.** Installation with a decorative front.

Carefully read the relevant section for the installation method required.

## 3. Flue Assembly

- 3.1 See Site Requirements, Section 2, Flue Options.

**TAKE CARE WHEN MARKING OUT FOR THE FLUE AS IT IS DIFFICULT TO MOVE AFTER INSTALLATION. IF A RESTRICTOR IS REQUIRED FIT THIS BETWEEN THE SMALL OUTLET SPIGOT AND THE AIR DUCT, SEE DIAGRAM 1. REFER TO TECHNICAL SPECIFICATIONS FOR RESTRICTOR SIZE.**

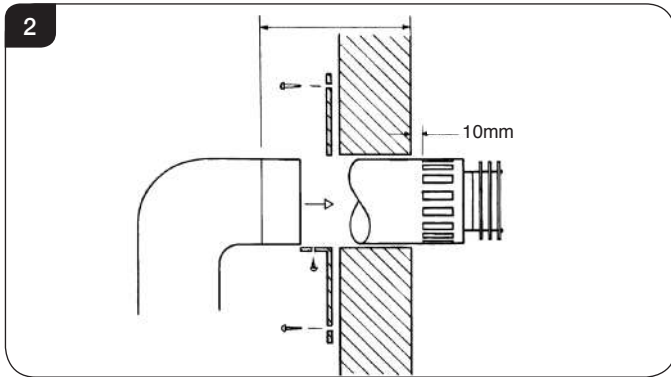


- 3.2 A 152mm (6") diameter hole in the wall is required to install the flue. This can be achieved by using either:
  - a) Core drill
  - b) Hammer and chisel
- 3.3 Drill small holes around the circumference when using method b). Make good both ends of the hole.
- 3.4 Allow enough room either above or to the side of the appliance to assemble the flue on top.
- 3.5 Assemble a horizontal flue in the following order:
  - Vertical section
  - 90° elbow
  - Horizontal plus terminal
- 3.6 Support the opening of a masonry installation with a lintel.
- 3.7 Only the horizontal terminal section can be reduced in size.
 

To find the length:
- 3.8 Measure from the outside of the wall to the stop on the 90° elbow.
- 3.9 **Add 10mm to the outlet end.**
- 3.10 Measure from the edge of the slots closest to the wall.

# Installation Instructions

3.11 Mark around the flue, see Diagram 2.

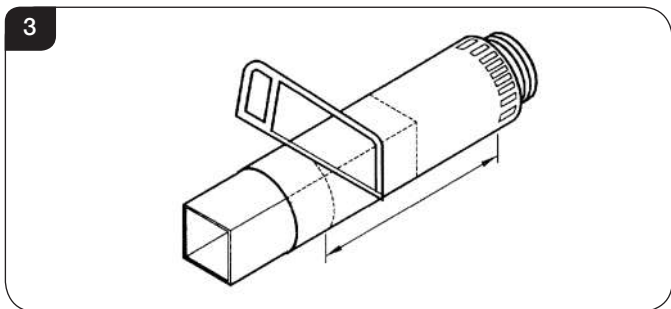


A wall plate is supplied to fix the flue to the wall:

3.12 Bend the tab to 90°.

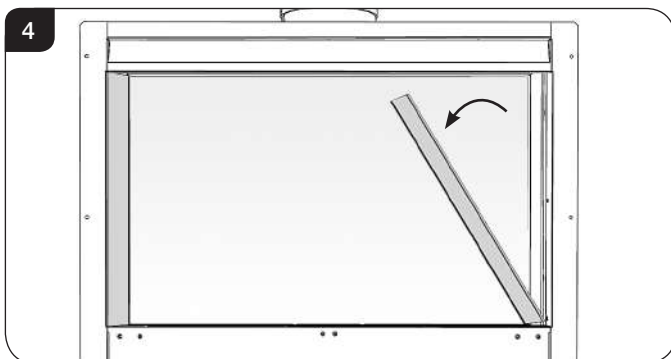
3.13 Assemble the plate onto the flue but do not secure to wall until the flue is fully assembled.

3.14 The cardboard fitment in the terminal is used to support the flue whilst it is cut to length. **ONCE CUT TO SIZE REMOVE THE CARDBOARD REMNANT**, see Diagram 3.

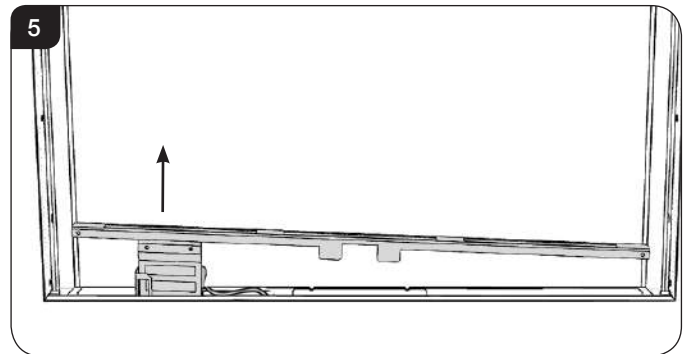


## 4. Removing the Glass Frame

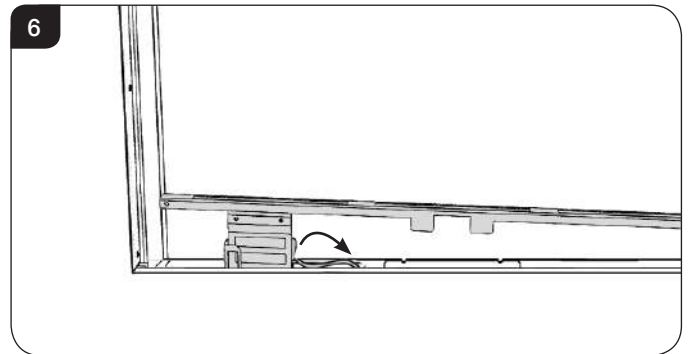
4.1 Remove the glass frame by removing the 2 side trims, see Diagram 4. These are held on by magnets.



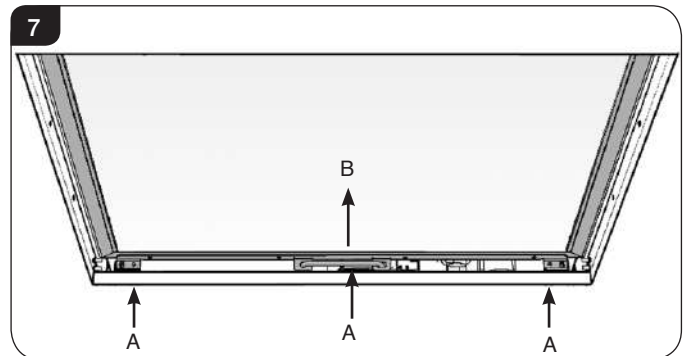
4.2 Lift out the bottom slotted trim, see Diagram 5. Note the orientation of the metal shield for reassembly.



4.3 Disconnect the battery lead from the battery pack attached to the lower slotted trim, see Diagram 6.

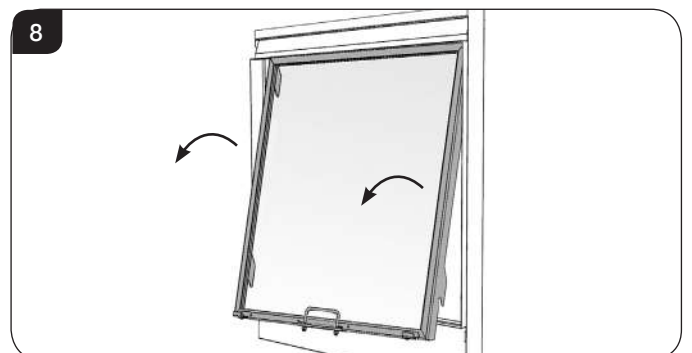


4.4 Remove the screws at the base of the glass frame, see Diagram 7 A.



4.5 Pull up the handle at the front, see Diagram 7 B.

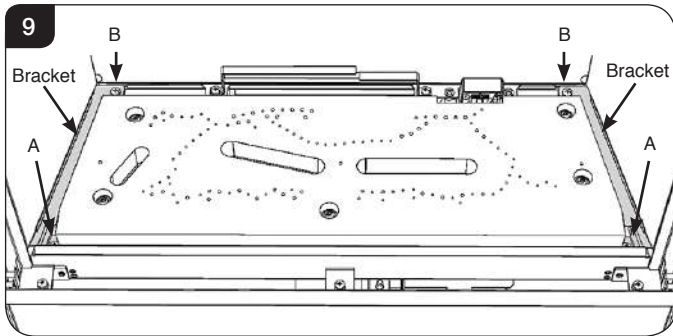
4.6 Whilst supporting the top, lift the glass frame using the handle, up and over the lower edge, see Diagram 8.





# Installation Instructions

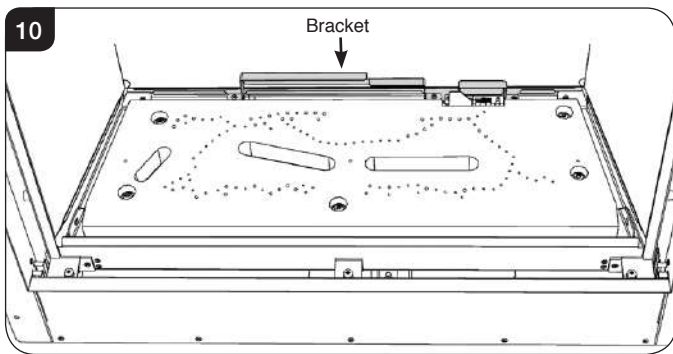
4.7 Remove the front 2 corner screws, see Diagram 9, arrow A.



4.8 Remove the rear 2 corner screws, see Diagram 9, arrow B.

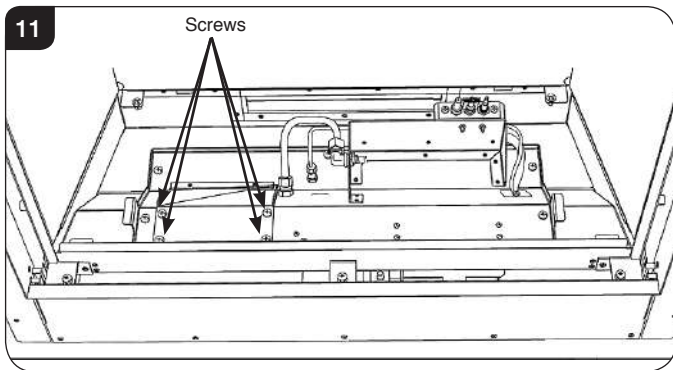
4.9 Remove the 2 side brackets, see Diagram 9.

4.10 Remove the rear bracket, see Diagram 10.

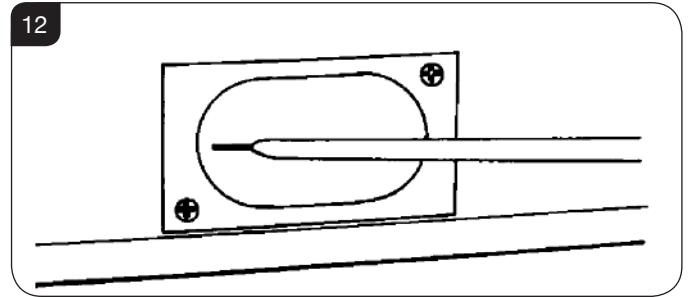


4.11 Slide the burner unit to the right, pull slightly forward and lift from the back. Carefully remove through the front of the appliance. Place carefully to one side.

4.12 Remove the 4 screws to remove the access plate.



4.13 The gas supply enters through the silicone panel located on the left-hand side on the rear of the outer box; this will need to be slit with a sharp knife prior to passing the supply pipe through, see Diagram 12.



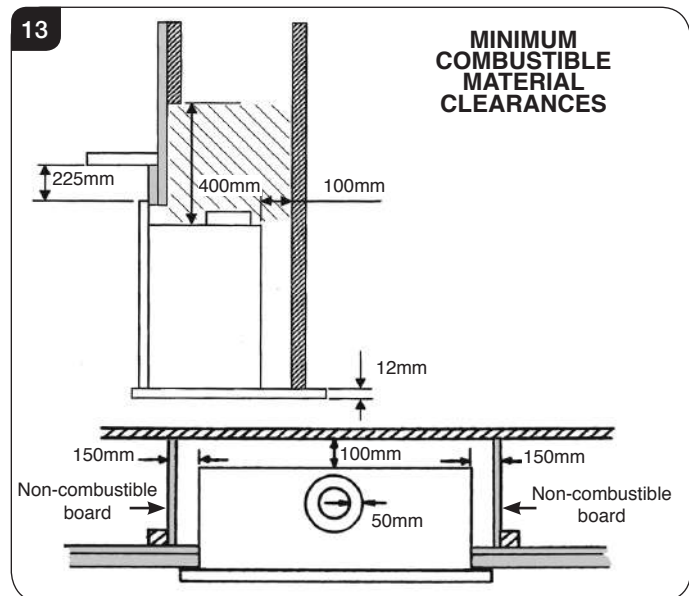
4.14 Remove the Compression Elbow from the appliance.

## 5. Studwork Installation

### 5.1 DISTANCE TO COMBUSTIBLE MATERIAL

**COMBUSTIBLE PARTS OF THE STUDWORK MUST BE KEPT BEYOND THE MINIMUM DIMENSIONS SHOWN IN DIAGRAM 13.**

**PROTECT THE NEAREST STUDWORK WITH NON-COMBUSTIBLE MATERIAL AND MAINTAIN THESE DIMENSIONS AT ALL TIMES, SEE DIAGRAM 13.**



5.2 **DO NOT PACK THE VOID AROUND OR ABOVE THE APPLIANCE WITH INSULATION MATERIALS SUCH AS MINERAL WOOL.**

5.3 **THE VOID BUILT FOR THE CASSETTE MUST BE VENTILATED TO PREVENT A BUILD-UP OF HEAT. IF THE VOID IS SEALED, THEN YOU MUST FIT HIGH LEVEL VENTS ON BOTH SIDES OF THE CAVITY OF APPROXIMATELY 200CM<sup>2</sup> EACH. THESE VENTS MUST TAKE COLD AIR FROM THE ROOM AND RETURN WARM AIR BACK INTO THE ROOM.**

5.4 **AN ACCESS HATCH MUST BE LEFT IN THE SIDE OF THE CHIMNEY BREAST FOR FUTURE SERVICING AND INSPECTION OF THE FLUE AND APPLIANCE.**

# Installation Instructions

**This installation is Top Exit only. Use only a rigid twin wall flue pipe.**

5.5 There are 2 methods of installation into a studwork chimney:

5a. Edge finish Installation.

5b. Installation with a decorative front.

Carefully read the relevant section for the installation method required.

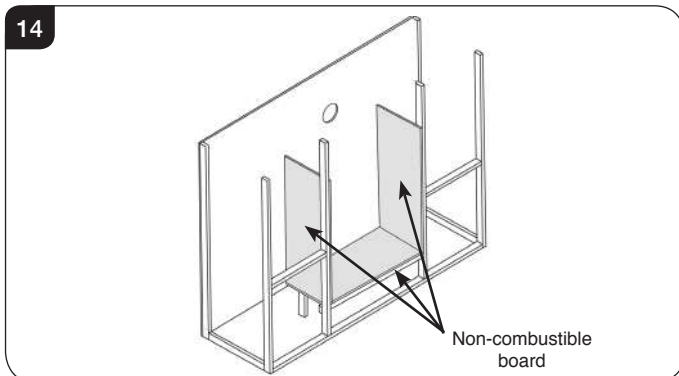
## 5a. Edge Finish Installation

5a.1 This method is designed so that non-combustible board can be taken right up to the edge of the flange of the appliance.

5a.2 Build the studwork chimney breast and enclosures to the desired size to include the protected platform at the required height.

Ensure that the minimum 150mm distance to combustible studwork is maintained.

5a.3 Line the aperture for the appliance with 12mm thick non-combustible material as shown. Non-combustible board used to protect the studwork can line the aperture inside the 50mm clearance distance, see Diagram 14.

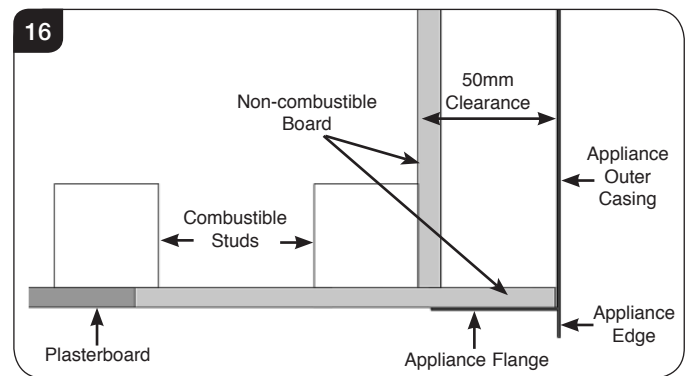
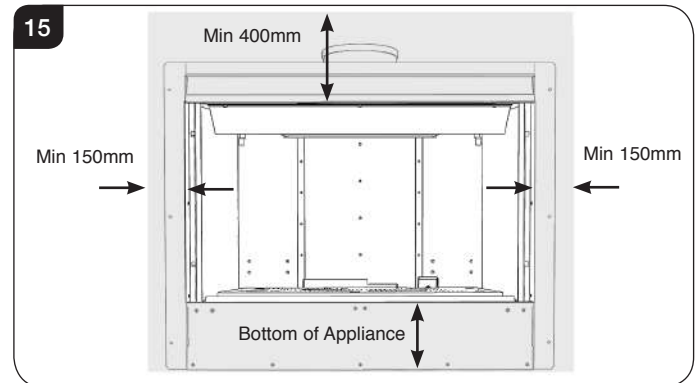


5a.4 Site the appliance and decide on flue requirements.

5a.5 Prepare the flue connection using the chosen method described in Section 2 ensuring that distances to combustible materials are maintained at all times.

Connect the flue and install the appliance into the aperture. At the same time ensure that the gas pipe passes through the silicon panel at the back of the appliance. Do not secure the appliance at this time.

5a.6 Fit non-combustible board to the studwork around the aperture. This should extend a minimum of 400mm above the appliance and at least 150mm to the sides of the appliance, see Diagrams 15 & 16.



Ensure the clearances are maintained, see Diagram 13.

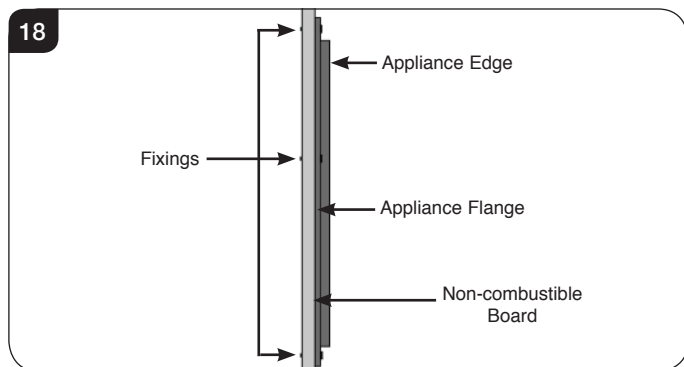
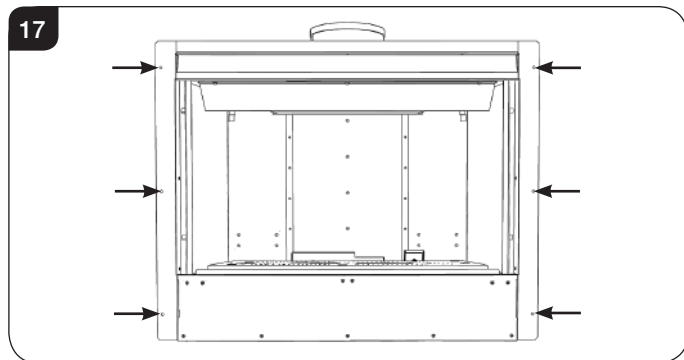
5a.7 Apply plasterboard to the remainder of the studwork.

5a.8 Fix the self adhesive foam seal around the back of the fixing flange of the appliance.

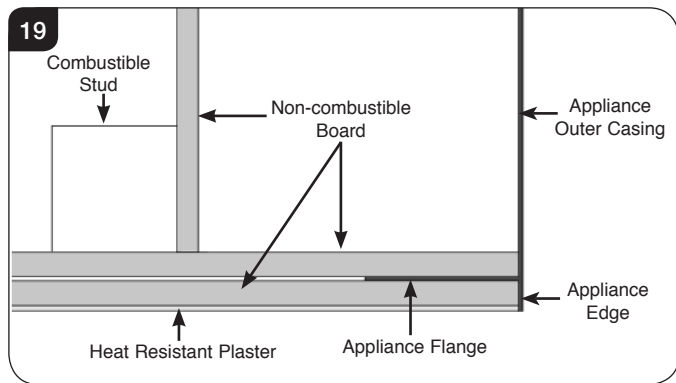


# Installation Instructions

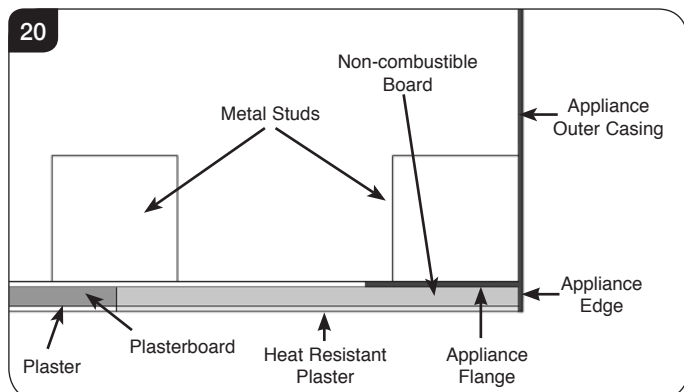
5a.9 Secure the appliance to the non-combustible board through the 6 fixing holes, using the anchor fixings provided, see Diagram 17 & 18.



5a.10 Fit non-combustible board to the board around the appliance, see Diagram 13. Ensure distances to combustibles are observed, see Diagram 19.



NOTE: If metal studwork is used, there is no need to fit non-combustible board to the face of the construction, see Diagram 20.



5a.11 Apply plasterboard to the remainder of the first layer of plasterboard.

5a.12 Apply a heat resistant plaster around the appliance, see Diagram 20. Ensure distances to combustibles are observed, see Diagram 13.

5a.13 Apply a plaster finish to the remaining plasterboard.

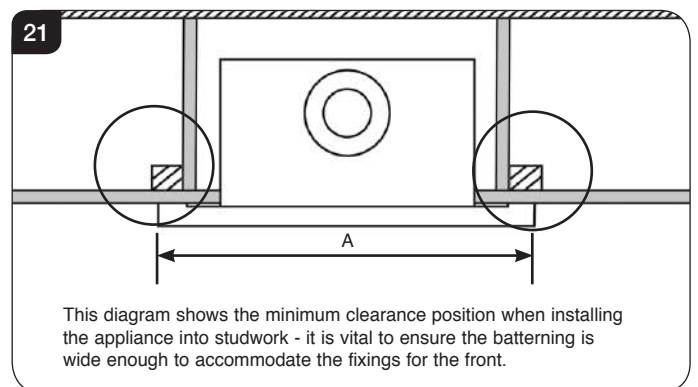
To finish installation see 5.6.

## 5b. Installation with a Decorative Front



**IMPORTANT: BEFORE THE INSTALLATION OF THE DECORATIVE FRONT ENSURE THAT THE WALL ABOVE AND TO THE SIDES OF THE APPLIANCE IS SUITABLY CONSTRUCTED FOR THE FIXINGS TO SUPPORT THE WEIGHT OF THE FRONT. IF THE WALL IS CONSTRUCTED FROM PLASTERBOARD OR SIMILAR, IT IS ESSENTIAL THAT BATTERNS ARE LOCATED TO THE SIDES OF THE APPLIANCE IN THE FIXING AREA TO PROVIDE STRENGTH TO THE FIXINGS. SEE DIAGRAM 21.**

5b.1 When constructing a studwork installation it is essential to observe the clearances to combustibles but make provision for the frame fixings, see Diagram 21.



Distance between front fixings:

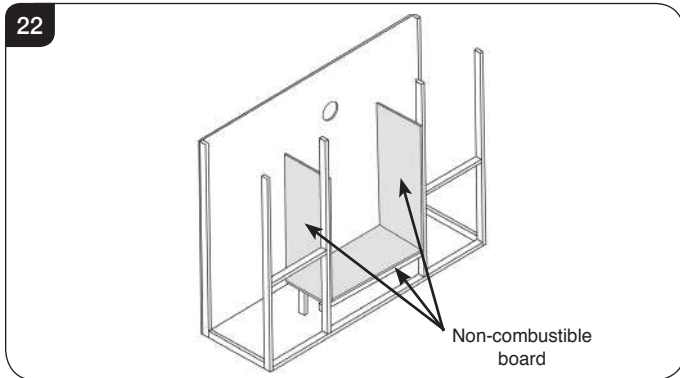
FRAME OPTION	A
Verve XS	759
Icon XS	759
Designio2	755

# Installation Instructions

- 5b.2 Build the studwork chimney breast and enclosures to the desired size to include the protected platform at the required height.

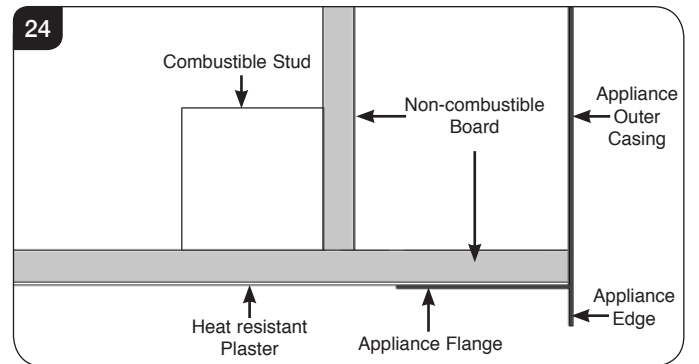
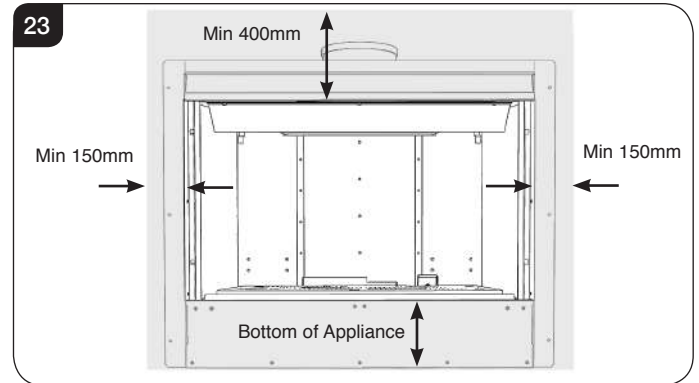
Ensure that the minimum 50mm distance to combustible studwork is maintained.

- 5b.3 Line the aperture for the appliance with 12mm thick non-combustible material as shown. Non-combustible board used to protect the studwork can line the aperture inside the 50mm clearance distance, see Diagram 22.



- 5b.4 Site the appliance and decide on flue requirements.
- 5b.5 Prepare the flue connection using the chosen method described in Section 2 ensuring that distances to combustible materials are maintained at all times.
- Connect the flue and install the appliance into the aperture. At the same time ensure that the gas pipe passes through the silicon panel at the back of the appliance. Do not secure the appliance at this time.

- 5b.6 Fit non-combustible board to the studwork around the aperture. This should extend a minimum of 400mm above the appliance and at least 150mm to the sides of the appliance, see Diagram 23 and Diagram 24.

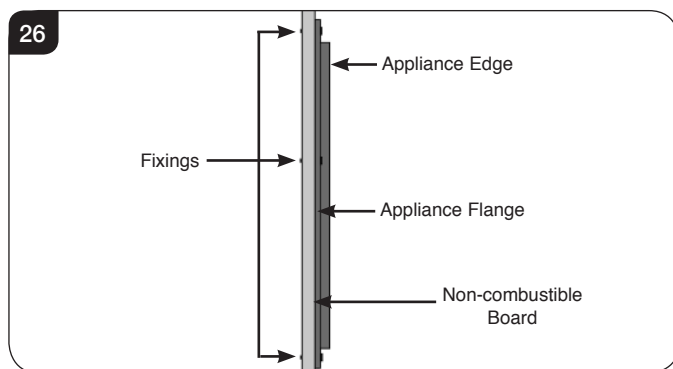
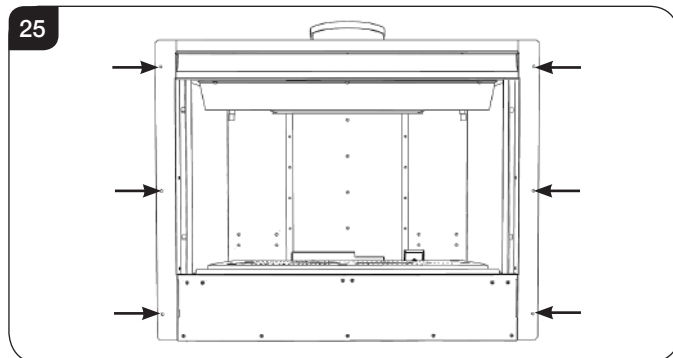


Ensure the clearances are maintained, see Diagram 13.

- 5b.7 Apply plasterboard to the remainder of the studwork and plaster the front face of the board.

# Installation Instructions

- 5b.8 Secure the appliance to the non-combustible board through the 6 fixing holes, using the anchor fixings provided, see Diagram 25 & 26.



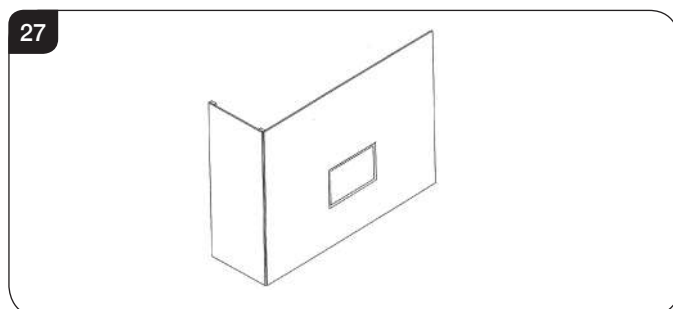
- 5b.9 Install the decorative front referring to separate installation instructions.

To finish installation see 5.6.

## To Finish the Installation

### After commissioning:

- 5.6 Finish the sides of the chimney breast, see Diagram 27.



- 5.7 A removable access hatch must be left in the side of the chimney breast for future servicing and inspection of the appliance.

## 6. Masonry Installation

The appliance can be installed into brick and block construction or chimney breast and finished with a plasterboard and skimmed finish.

This product can also be used in conjunction with the Gazco Chimney Renovation kit, see separate instructions for details.

There are 2 methods of installation into a masonry chimney:

- 6a. Edge finish Installation.
- 6b. Installation with a decorative front.

Carefully read the relevant section for the installation method required.

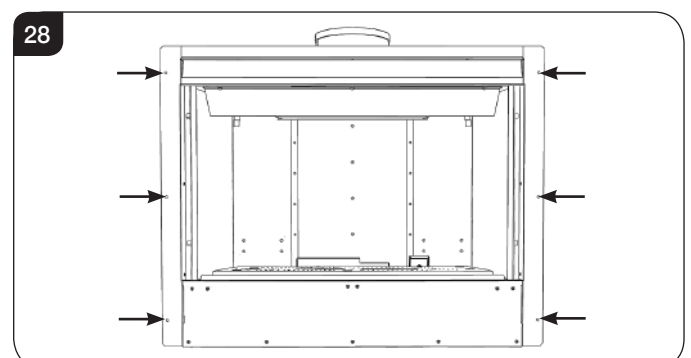
Please note it is essential to read and understand the chosen method of installation before attempt to fit the appliance.

### 6a. Edge Finish Installation

- 6a.1 This method is designed so that non-combustible board can be taken right up to the edge of the flange of the appliance.
- 6a.2 Fix the self adhesive foam seal around the back of the fixing flange of the appliance.
- 6a.3 Prepare the flue connection using the chosen method described in Section 2.
- 6a.4 Connect the flue and install the appliance into the aperture. At the same time ensure that the gas pipe passes through the silicon panel at the back of the appliance and the wall panel cable passes through the side grommet.

Note: It may be necessary to feed the wall plate cable through the silicon panel during installation.

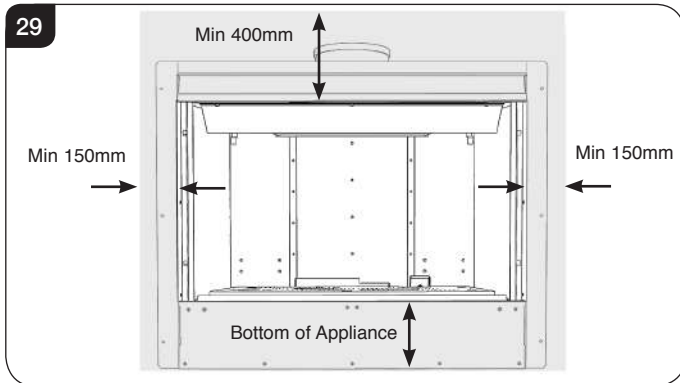
- 6a.5 Secure the appliance through the 6 fixing holes using the screws provided, see Diagram 28.



- 6a.6 Build the chimney breast up to coincide with the edge, allowing for the front to be skimmed level.

# Installation Instructions

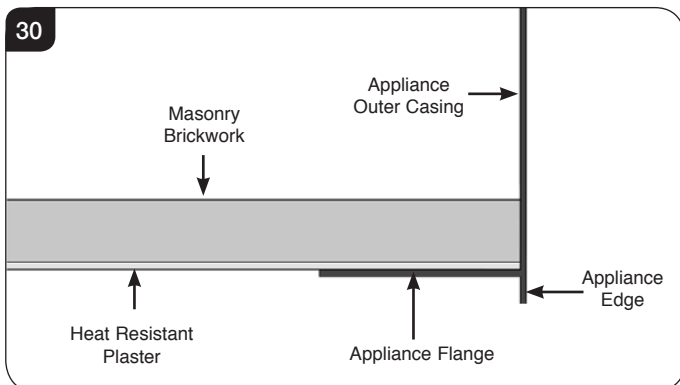
- 6a.7 Fit non-combustible board to the chimney breast around the appliance, using the distance to combustibles detailed in Diagram 29.



- 6a.8 Fit plasterboard to the remaining of the chimney breast front.  
6a.9 Apply a heat resistant plaster around the appliance using the distance to combustibles detailed in Diagram 13.  
6a.10 Apply a plaster finish to remaining chimney breast front.

## 6b. Installation with a Decorative Front

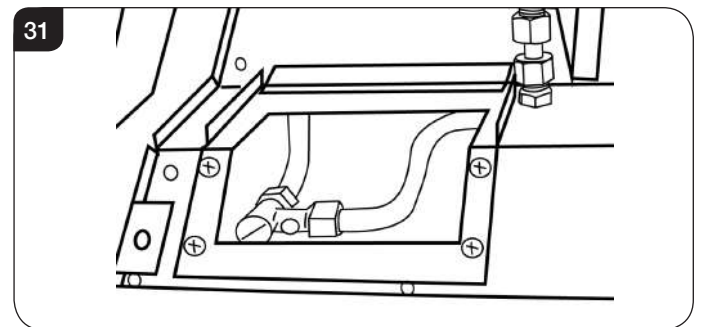
- 6b.1 Fix the self adhesive foam seal around the back of the fixing flange of the appliance.  
6b.2 Prepare the flue connection using the chosen method described in Section 2.  
6b.3 Connect the flue and install the appliance into the aperture. At the same time ensure that the gas pipe passes through the silicon panel at the back of the appliance and the wall panel cable passes through the side grommet.  
**Note:** It may be necessary to feed the wall plate cable through the silicon panel during installation.  
6b.4 Secure the appliance through the 6 fixing holes using the screws provided, see Diagram 28.  
6b.5 The appliance flange should sit flush to the brickwork and the edge should sit proud of the wall, see Diagram 30.



- 6b.6 The subframe for the decorative front can now be fitted by following the instructions supplied with the Front.  
**NOTE: THE SUBFRAME MUST SIT FLUSH TO THE WALL LEVEL WITH THE APPLIANCE FLANGE.**

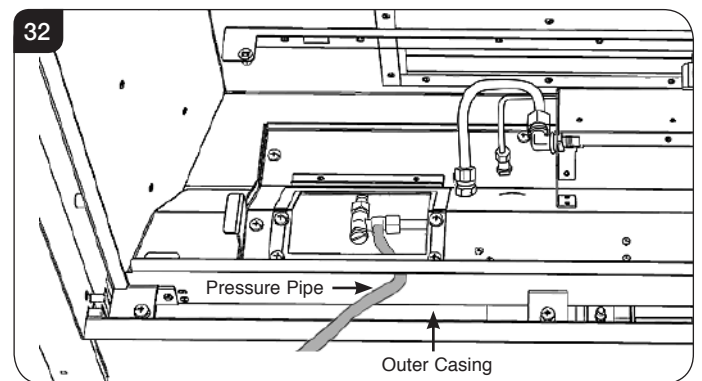
## 7. Gas Supply

- 7.1 Remove the compression elbow from the appliance and connect it to the gas supply pipe.  
As the appliance is fitted into the enclosure:  
7.2 Pass the elbow and supply pipe through the opening on the LEFT HAND side.  
7.3 **PURGE THE SUPPLY PIPE.** This is essential to expel any debris that may block the gas controls.  
7.4 Connect the elbow to the appliance inlet pipe, see Diagram 31.



## 8. Gas Soundness Pressure Check

- 8.1 Connect a suitable pressure gauge to the test point located on the inlet fitting, see Diagram 32. Pass the pressure pipe under main control assembly and out through the gap inside the outer casing, see Diagram 32. Refit the burner unit, turn the gas supply on and perform a pressure drop test to check for leaks in the installation. Light the appliance, turn to maximum and check that the supply pressure is as stated on the databadge. Turn the gas off and replace the test point screw, turn the gas on and check the test point for leaks.

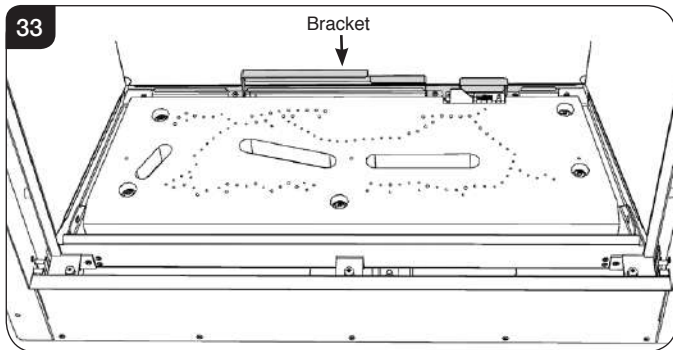


Check the function of the handset, if there is no communication between the remote control and the appliance, see Commissioning Section.

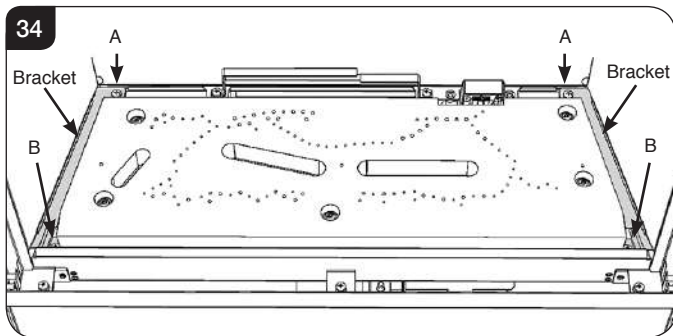
# Installation Instructions

## 9. Fitting the Main Burner

- 9.1 Angle the burner unit backwards slightly and carefully lower into the right hand side of the appliance.
- 9.2 Push the burner unit slightly backwards and slide to the left, ensuring the venturi engages with the main injector.
- 9.3 Replace the rear bracket, see Diagram 33.



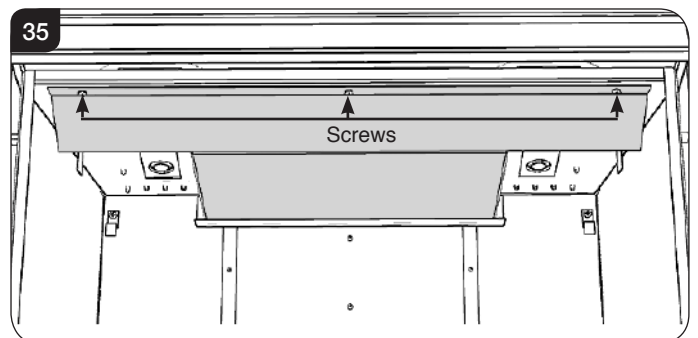
- 9.4 Replace the side brackets, see Diagram 34.



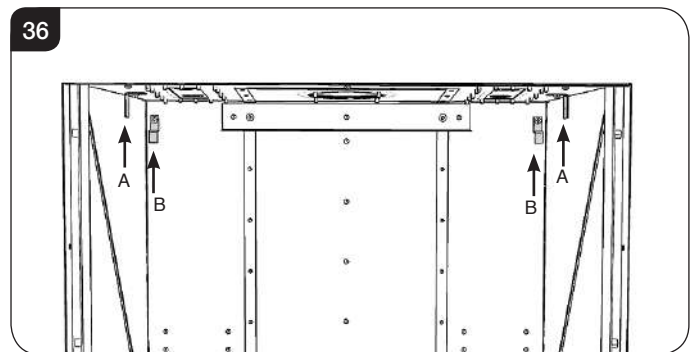
- 9.5 Replace the rear 2 corner screws, see Diagram 34, arrow A.
- 9.6 Replace the front 2 corner screws, see Diagram 34, arrow B.

## 10. Fitting the Liners

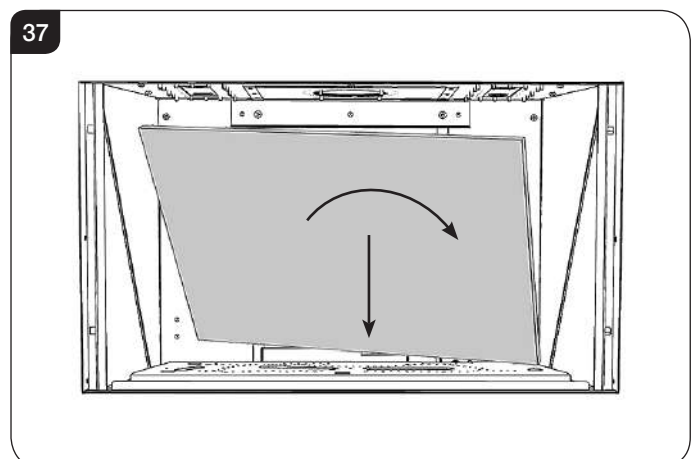
- 10.1 The appliance comes with 3 optional liner finishes:  
Ledgestone  
Brick Effect  
Black Glass Linings
- 10.2 The baffle must be removed before the liners can be fitted.
- 10.3 To do this undo the screws securing it to the roof of the firebox, see Diagram 35.



- 10.4 The baffle can now be removed by lowering the front edge and pulling forward through the front of the appliance. **TAKE CARE NOT TO DAMAGE THE SIDE PANELS.**
- 10.5 Remove the 2 brackets from the sides (A) and rear (B) of the firebox, see Diagram 36.

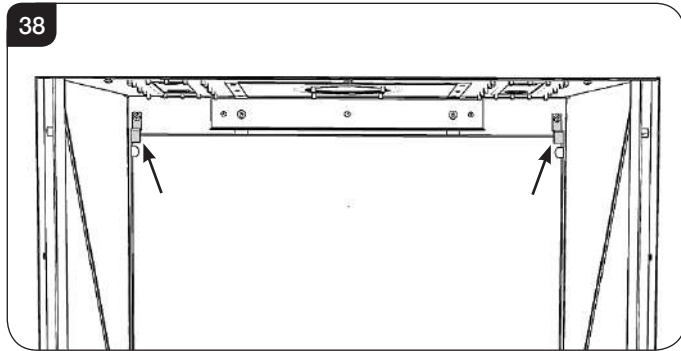


- 10.6 Fit the back liner by carefully twisting slightly to insert through the front of the appliance and lifting over the rear bracket, see Diagram 37.

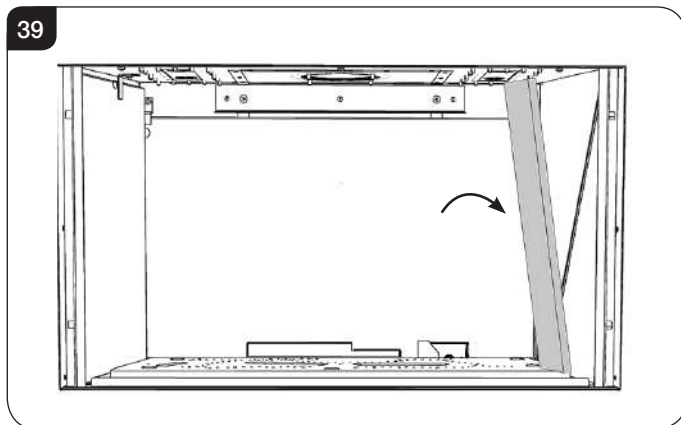


# Installation Instructions

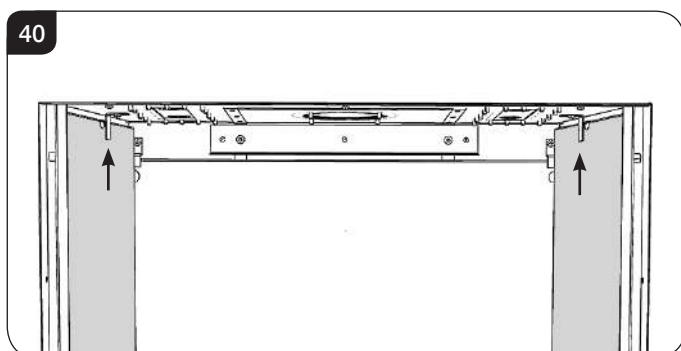
- 10.7 Lower the rear panel carefully and lean the top up against the back of the appliance.
- 10.8 Support the rear liner and replace the 2 brackets, see Diagram 38.



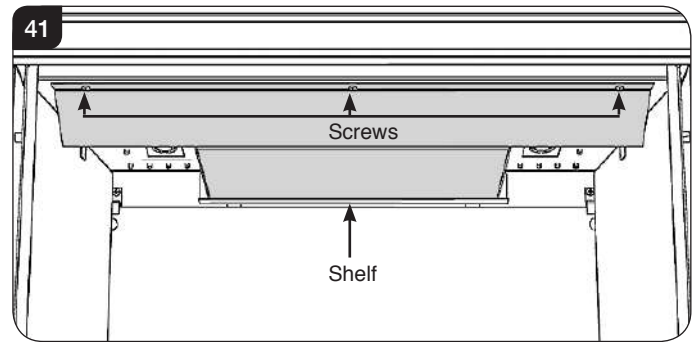
- 10.9 To fit the Right Hand liner insert through the front of the appliance tilting the top inwards towards the centre of the firebox before lowering into position, see Diagram 39.



- 10.10 To fit the Left Hand liner insert through the front of the appliance tilting the top inwards towards the centre of the firebox before lowering into position, see Diagram 39.
- 10.11 Replace the side liner brackets, see Diagram 40.



- 10.12 Replace the baffle ensuring that the rear locates on the shelf at the shelf at the back of the firebox, see Diagram 41. Take care not to damage the liners.



- 10.13 Replace the screws to secure it to the roof of the firebox, see Diagram 41.

## Advice on handling and disposal of fire ceramics



The fuel effect and side panels in this appliance are made from Refractory Ceramic Fibre (RCF), a material which is commonly used for this application.

Protective clothing is not required when handling these articles, but we recommend you follow normal hygiene rules of not smoking, eating or drinking in the work area and always wash your hands before eating or drinking.

To ensure that the release of RCF fibres are kept to a minimum, during installation and servicing a HEPA filtered vacuum is recommended to remove any dust accumulated in and around the appliance before and after working on it. When servicing the appliance it is recommended that the replaced items are not broken up, but are sealed within heavy duty polythene bags and labelled as RCF waste.

RCF waste is classed as stable, non-reactive hazardous waste and may be disposed of at a licensed landfill site.

Excessive exposure to these materials may cause temporary irritation to eyes, skin and respiratory tract; wash hands thoroughly after handling the material.

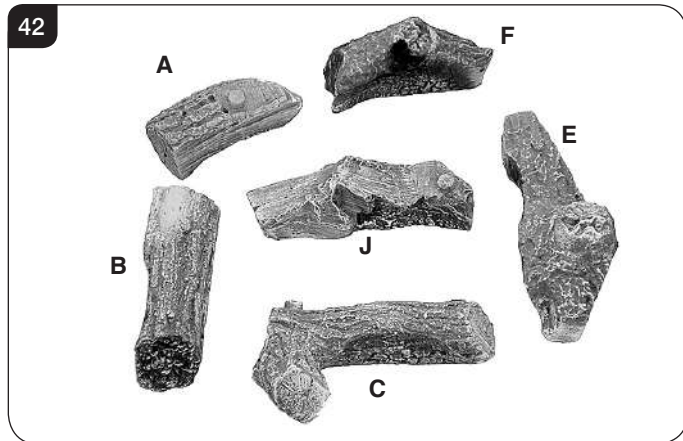


# Installation Instructions

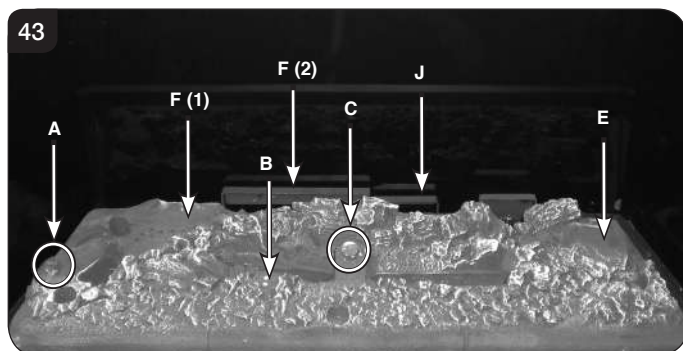
## 11. Arrangement of Fuel Bed Components

**LOGS MUST BE POSITIONED ACCORDING TO THE FOLLOWING INSTRUCTIONS TO GIVE THE CORRECT FLAME EFFECT.**

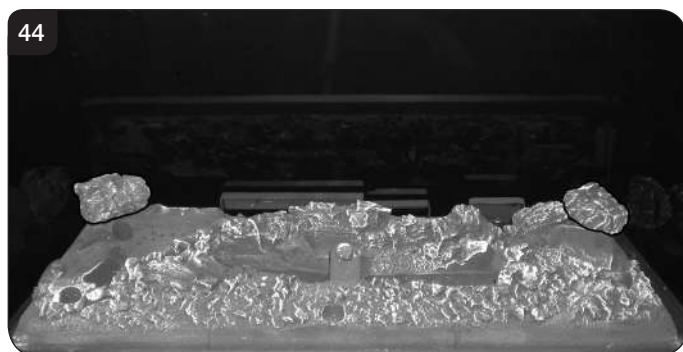
- 11.1 Ensure the burner tray is clean and free from any debris.
- 11.2 The logs for the fuel bed are clearly individually labelled, see Diagram 42.



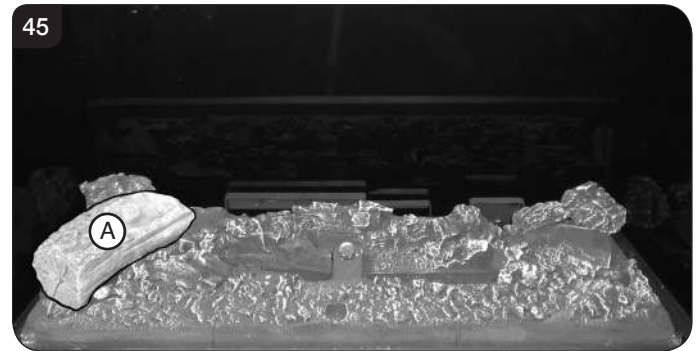
- 11.3 There are raised studs and flat surfaces on the emberbed to locate the logs, see Diagram 43.



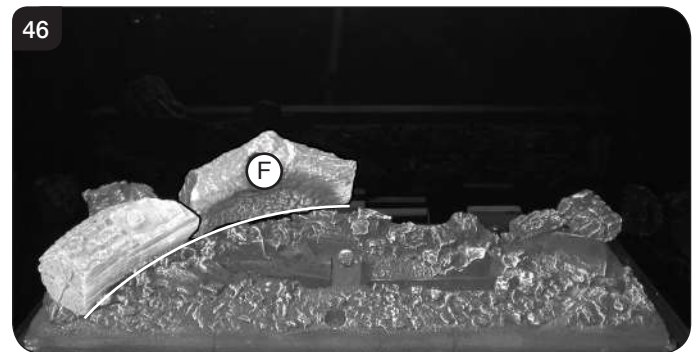
- 11.4 Place the 2 large embers in the rear corners of the emberbed, see Diagram 44.



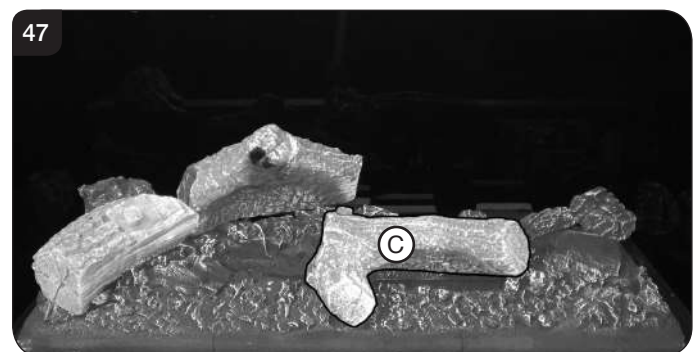
- 11.5 Place the front of Log A on the raised stud on the left hand side of the emberbed. The log follows the flat surface on the emberbed, see Diagrams 43 & 45.



- 11.6 Place Log F behind Log A. The rear edge of Log A locates in the cutout at the front of Log F. Log F should create a continuous curve with Log A, touching the rear panel and resting on rear bracket, see Diagrams 43 & 46.



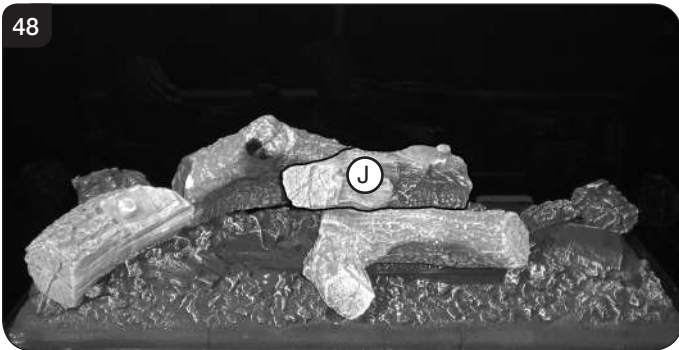
- 11.7 Place Log C on the raised stud in the centre of the emberbed, with the right end resting in the groove, see Diagrams 43 & 47.





# Installation Instructions

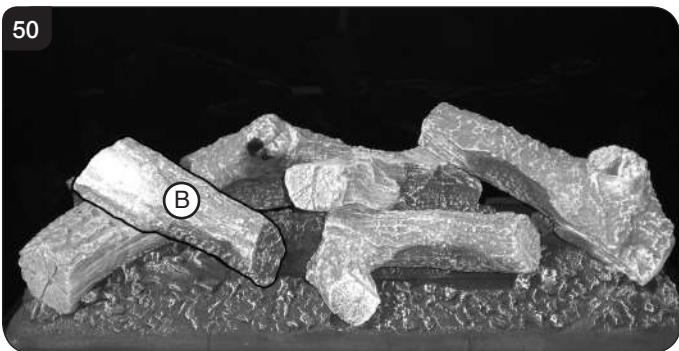
- 11.8 Place the front of Log J on the raised stud on Log C. The back of the log rests on the lower section of the rear bracket and touches the rear panel, see Diagram 48.



- 11.9 Place the rear of the Log E on the raised stud on Log J. The right hand side rests on the flat surface on the emberbed, see Diagrams 43 & 49.



- 11.10 Log B locates on the raised stud on Log A and rests on the flat surface on the emberbed, see Diagrams 43 & 50.



- 11.11 Place the 5 small embers in the locations shown in Diagrams 51.



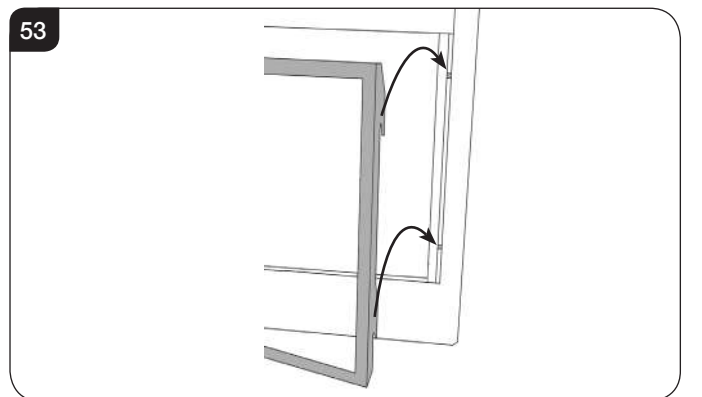
- 11.12 Sparingly spread an amount of the Embaglow fibres provided, covering the ports in the burner tray, see Diagram 52.  
Ensure the material is placed loosely to create a random glow.  
Take care not to use more than half a packet per application.  
**WARNING - DO NOT PLACE NEAR THE PILOT AREA.**



## 12. Completion of Assembly

**Ensure that the rope seal on the back of the glass frame is intact.**

- 12.1 To replace the glass frame, position so the hooks on the back of the frame fit over the side pins, see Diagram 53.



- 12.2 Push the handle down.  
12.3 Replace the screws. As the screws are tightened the glass frame is pulled down against the hooks and forms a seal.  
**Replace ALL of the securing screws ensuring that a screw is present in all fixing slots.**



**UNDER NO CIRCUMSTANCES SHOULD THE APPLIANCE BE USED IF ANY OF THE GLASS FRAME RETAINING SCREWS ARE LOOSE OR MISSING.**

- 12.4 Connect the battery lead to the battery pack attached to the lower slotted trim.



**PLEASE ENSURE NO WIRES ARE TRAPPED BEFORE REPLACING THE LOWER SLOTTED TRIM. THE LEADS ARE EASILY DAMAGED.**

# Installation Instructions

- 12.5 Replace the lower trim, ensuring that the angled metal shield is sloping towards the door frame.
- 12.6 Replace the 2 magnetic side trims.

**NEVER OPERATE THE APPLIANCE WHEN THE GLASS PANEL IS REMOVED OR BROKEN.**

- 12.7 Replace the decorative front by referring to the separate leaflet supplied with the front.

**NOTE: ENSURE THAT THE LOGS ARE POSITIONED AS ABOVE. ONLY USE THE CORRECT AMOUNT OF LOGS AS SPECIFIED IN THE DIAGRAMS.**

## 13. Lighting the Appliance

The appliance is operated by thermostatic remote control.

54



This remote controls the appliance from pilot ignition through to shut down.

In 'MANUAL MODE' you can:

- light the pilot
- turn on the main burner
- regulate the flame from low to high and back
- turn off the burner leaving just the pilot burning

In 'TEMP MODE' you can:

- set the room temperature so the stove automatically maintains that temperature

In 'TIMER MODE' the appliance:

- turns on and off according to the set time periods
- automatically regulates the room temperature during the set periods

### 13.1 Turning the appliance On

Your remote can control the gas appliance from pilot ignition through to shut down.

To turn the appliance on press the OFF button and the UP button simultaneously. You hear several short signals.

**The pilot and main burner ignite and the remote is now in Manual Mode:**

#### Turning the appliance Off:

Press the OFF button to turn the appliance off  
FOR SAFETY, YOU MUST WAIT 30 SECONDS BEFORE LIGHTING THE APPLIANCE AGAIN.



**IMPORTANT: YELLOW FLAMES TYPICALLY APPEAR WHEN THE APPLIANCE HAS REACHED NORMAL OPERATING TEMPERATURE. THIS CAN TAKE UP TO 30 MINUTES.**



**WARNING: IF THE APPLIANCE FAILS TO LIGHT OR BECOMES EXTINGUISHED IN USE, WAIT 3 MINUTES BEFORE ATTEMPTING TO RELIGHT.**

**FOR FULL OPERATING INSTRUCTIONS AND TROUBLESHOOTING SEE USER SECTION.**

# Commissioning

## 1. Commissioning

- 1.1 Complete the Commissioning Checklist at the front of this manual covering:
- Thermocouple soundness checks.  
This is to include ensuring the thermocouple is secure on the pilot bracket assembly, lead connection and integrity.
  - Flue checks
  - Gas checks
  - Log/fuel effect layout - flame picture
- For working pressure test, use the access panel at the gas connection ensuring the burner is in position. Refer to Installation Instructions, Section 8.
- 1.2 Ensure all safety checks listed in the Commissioning Section are completed, paying particular attention to the glass panel checks and securing of the glass frame.
- 1.3 Upon completion of the commissioning and testing of the installation and correct operation of the appliance, the installer must instruct the user how to operate the appliance.
- 1.4 Guide the user through the User Instructions paying particular attention to:
- a) Regular servicing (Section 8 of the User Instructions).
  - b) Ventilation (Section 9 of the User Instructions) - point out the ventilation positions where applicable.
  - c) Hot surfaces (Section 11 of the User Instructions).
  - d) How the appliance works with the remote control handset and the modes of operation (Section 2 of the User Instructions).
  - e) How to change settings in the auto mode and program modes of operation.
  - f) What to do if the appliance fails to operate (Section 12 of the User Instructions).

### Reprogramming handset/Control box

To access the control box see Servicing Instructions, Section 4 - Main Control Assembly.

- Press and hold the reset button on the control box until you hear two signals. After the second longer signal:
- Release the reset button and within 20 seconds:
- Press the DOWN button on the handset until you hear two additional short signals confirming the new code is set.  
If there is a single long signal the code learning sequence has failed or the wiring is incorrect.

# Servicing Instructions

## Servicing/Fault Finding Charts

### 1. Servicing Requirements

**IMPORTANT** – The glass panel on this appliance should be checked for any signs of damage on the front face of the glass panel (scratches, scores, cracks or other surface defects). If damage is observed, the glass panel must be replaced and the appliance must not be used until a replacement is installed. Under no circumstances should the appliance be used if any damage is observed. Please isolate the appliance until a replacement glass panel has been obtained and installed. Replacement glass panels can be purchased from Gazco via the Retailer from which the appliance was purchased or any other Gazco distributor.

This appliance must be serviced at least once a year by a competent person.

All tests must be carried out in accordance with the current GasSafe recommendations.

#### 1.1 Before Testing:

- Conduct a gas soundness test for the property ensuring there are no leaks before servicing.
- Check the operation of the appliance before testing.

#### 1.2 Special checks:

- Clean the burner using a vacuum cleaner with a soft brush attachment. Ensure all debris is removed from the burner ports.

- Clean away lint or fluff from the pilot.
- Clean away lint or fluff from under the burner.
- Check the spark gap on the pilot is correct.
- Ensure that the glass frame is secured correctly and that all retaining screws are in place.

1.3 Correct any faults found during the initial test.

1.4 Re-commission the appliance in accordance with Commissioning Procedures.

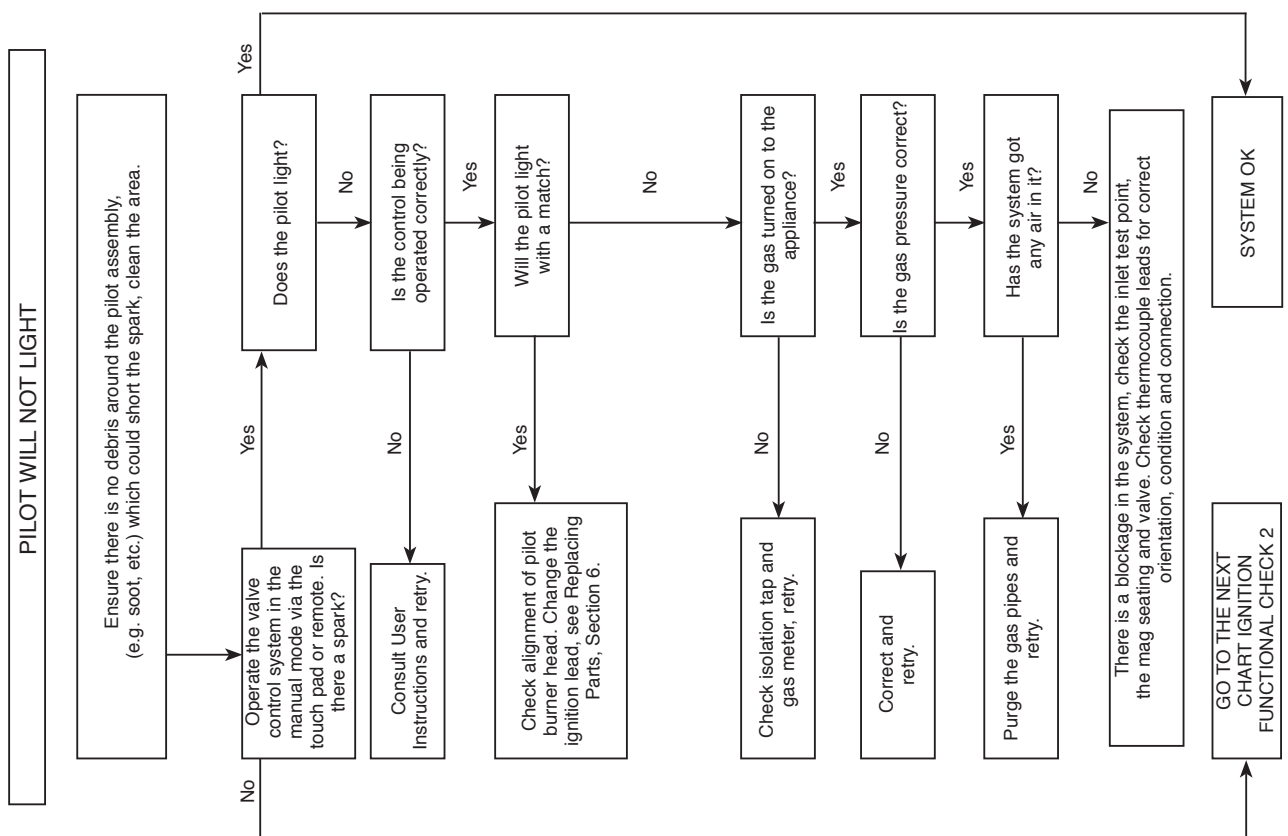
1.5 Advise the customer of any remedial work undertaken.

**REPLACE BATTERIES BEFORE ATTEMPTING TO RECTIFY ANY FAULTS.**

#### ELECTRONIC CONTROL VALVE FAULT ANALYSIS

Symptom	Cause	Remedy
Frequent beeps for 3 seconds after operation request	Batteries low in appliance	Replace appliance batteries
No ignition, 5 second continuous tone (there may be several short beeps before)	Loose/damaged wire	Check interrupter block and wires
No ignition, no tone, motor turns slightly when operated	Receiver board damaged	Replace receiver
No pilot flame and control continues to spark	Thermocouple circuit wired incorrectly	Correct wiring
Pilot lights, control continues to spark, value shuts down after 10 - 30 seconds	1. No spark at pilot burner 2. Loose/damaged wire	1. Rectify spark at pilot burner 2. Check interrupter and wires

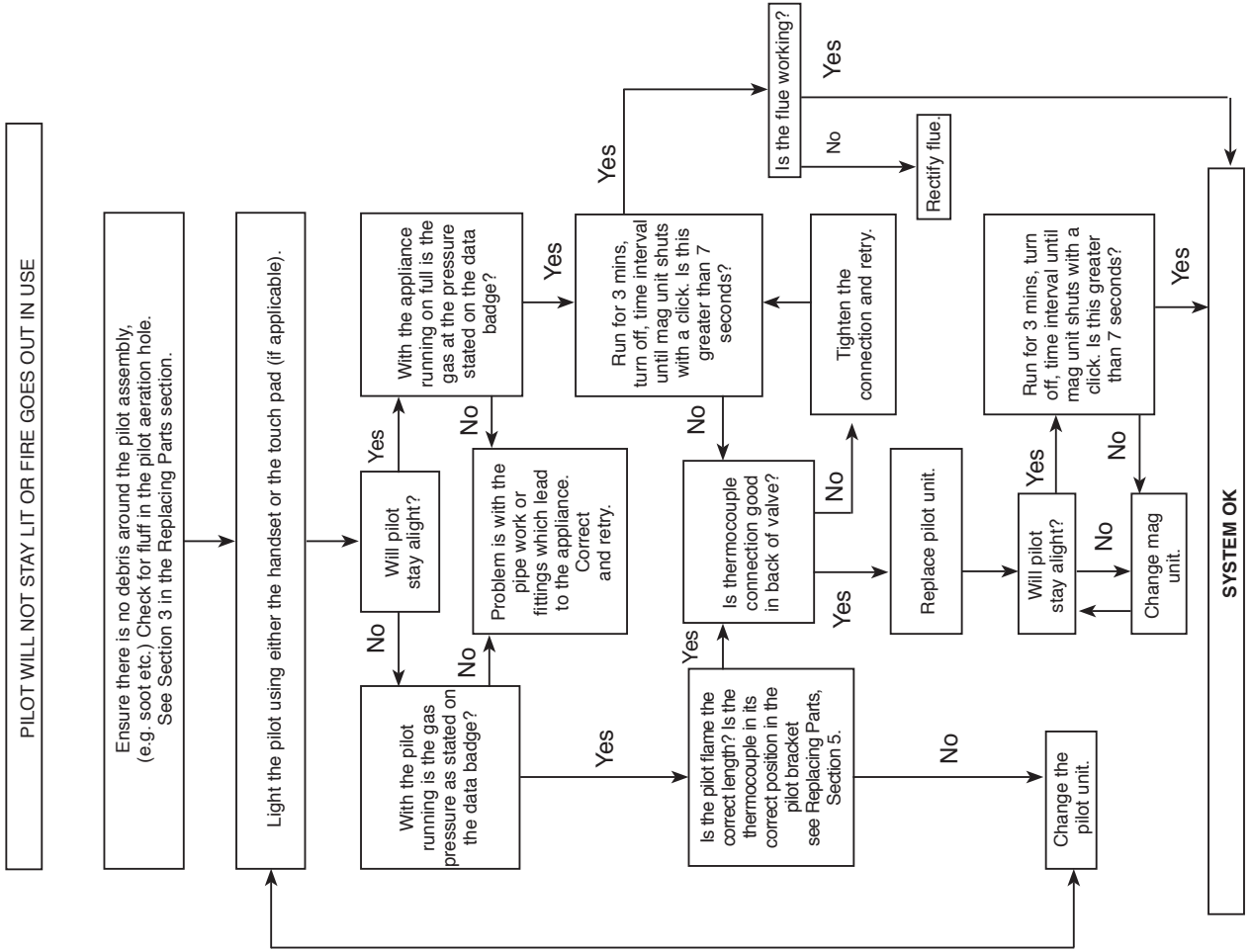
### IGNITION FUNCTIONAL CHECK 1



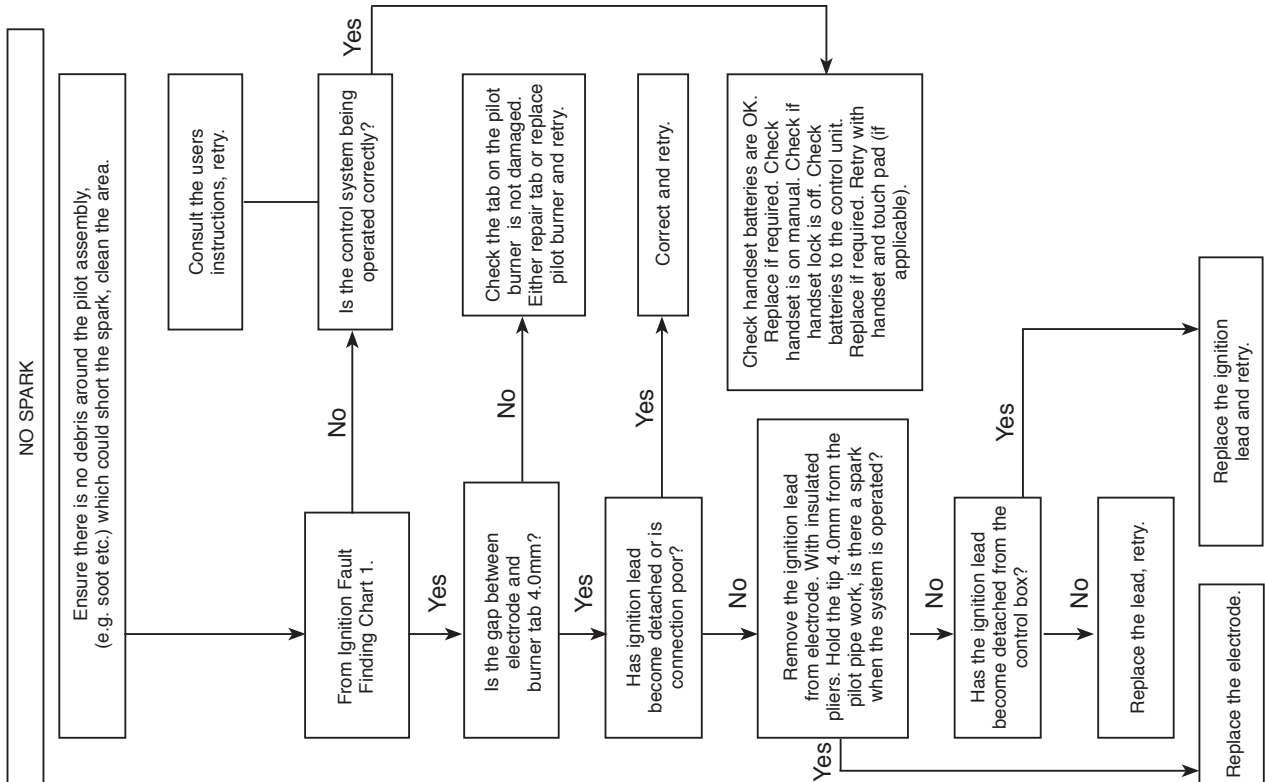
# Servicing Instructions

## Servicing/Fault Finding Charts

### FLAME FAILURE FUNCTIONAL CHECK 3



### IGNITION FUNCTIONAL CHECK 2



# Servicing Instructions

## 1. General

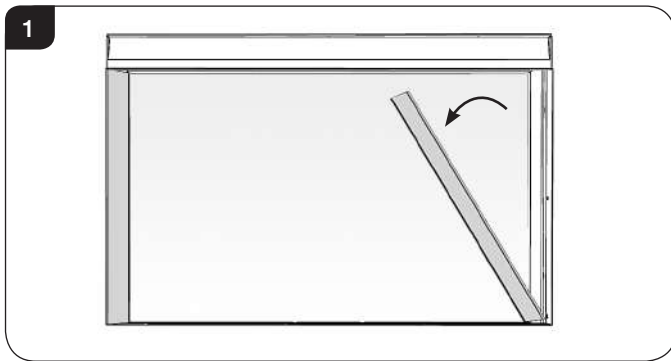
- 1.1 All main components can be replaced without removing the appliance from its installation.

**IT IS ESSENTIAL THAT THE GAS SUPPLY TO THE APPLIANCE IS TURNED OFF AT THE ISOLATION DEVICE BEFORE PROCEEDING FURTHER.**

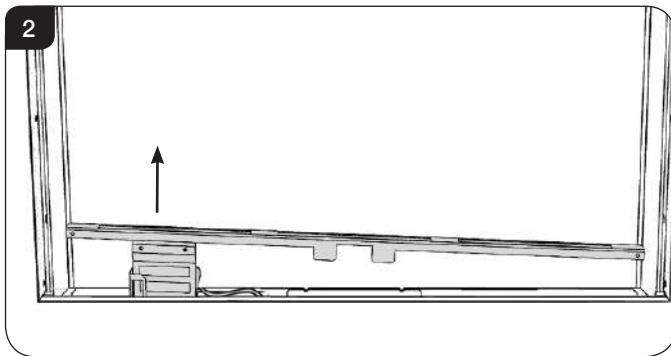
- 1.2 It will be necessary to remove the Main Burner before any of the components can be serviced.

## 2. Removing the Glass Frame

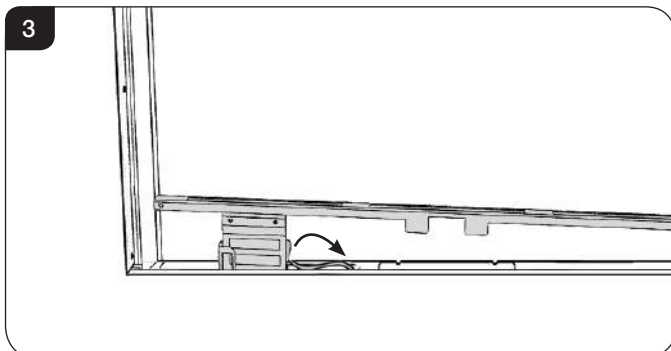
- 2.1 Remove the glass frame by removing the 2 side trims, see Diagram 1. These are held on by magnets.



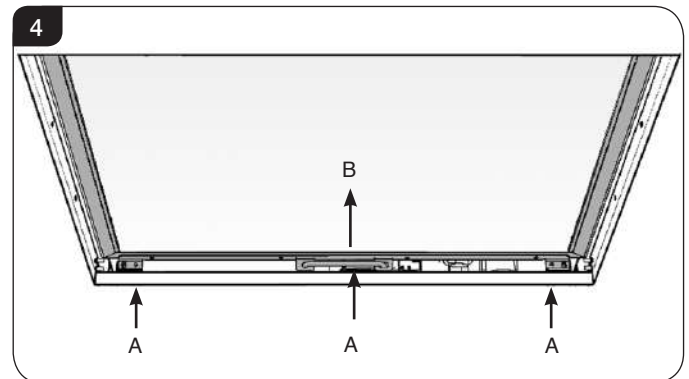
- 2.2 Lift out the bottom slotted trim, see Diagram 2. Note the orientation of the metal shield for reassembly.



- 2.3 Disconnect the battery lead from the battery pack attached to the lower slotted trim, see Diagram 3.

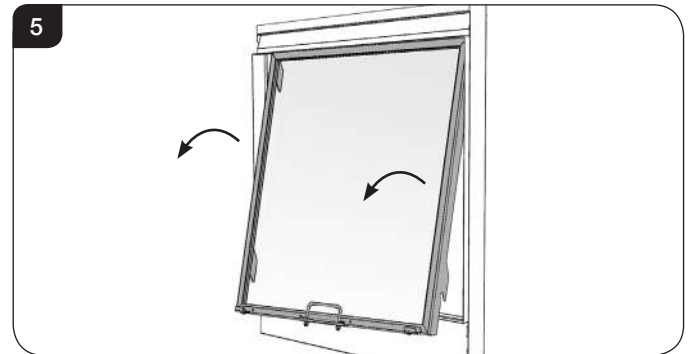


- 2.4 Remove the screws at the base of the glass frame, see Diagram 4 A.



- 2.5 Pull up the handle at the front, see Diagram 4 B.

- 2.6 Whilst supporting the top, lift the glass frame using the handle, up and over the lower edge, see Diagram 5.



- 2.7 Remove the logs and Embaglow and place on a dry, clean surface.

**When refitting the glass frame ensure that the rope seal on the back of the frame is intact.**

- 2.8 To replace the glass frame, position so the hooks on the back of the frame fit over the side pins, see Diagram 5.

- 2.9 Push the handle down.

- 2.10 Replace the screws. As the screws are tightened the glass frame is pulled down against the hooks and forms a seal. **Replace ALL of the securing screws ensuring that a screw is present in all fixing slots except centre bottom. This is left empty.**



**UNDER NO CIRCUMSTANCES SHOULD THE APPLIANCE BE USED IF ANY OF THE GLASS FRAME RETAINING SCREWS ARE LOOSE OR MISSING.**

- 2.11 Connect the battery lead to the battery pack attached to the lower slotted trim.



**PLEASE ENSURE NO WIRES ARE TRAPPED BEFORE REPLACING THE LOWER SLOTTED TRIM. THE LEADS ARE EASILY DAMAGED.**

- 2.12 Replace the lower trim.

- 2.13 Replace the 2 magnetic side trims.



# Servicing Instructions

**NEVER OPERATE THE APPLIANCE WHEN THE GLASS PANEL IS REMOVED OR BROKEN.**

- 2.14 Replace the decorative front by referring to the separate instructions supplied with the front.

**NOTE: ENSURE THAT THE LOGS ARE POSITIONED CORRECTLY, SEE SECTION 5. ONLY USE THE CORRECT AMOUNT OF LOGS AS SPECIFIED IN THE DIAGRAMS.**

- 2.15 The glass front must be refitted to the appliance following cleaning or servicing.

## 3. Baffle & Liners

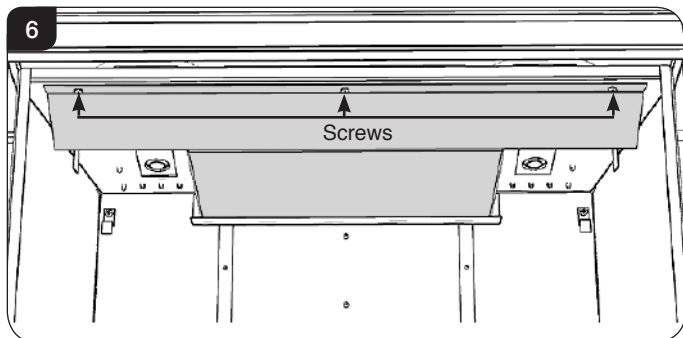
- 3.1 To access the burner tray and interior workings of the appliance it is necessary to remove the baffle and the side liners.

- 3.2 Remove the decorative logs.

### BAFFLE

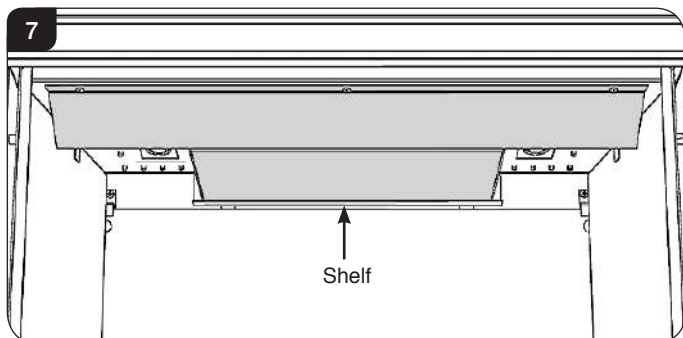
The baffle must be removed before the liners can be taken out of the appliance.

- 3.3 To do this undo the screws securing it to the roof of the firebox, see Diagram 6.



- 3.4 The baffle can now be removed by lowering the front edge and pulling forward through the front of the appliance. **TAKE CARE NOT TO DAMAGE THE SIDE PANELS.**

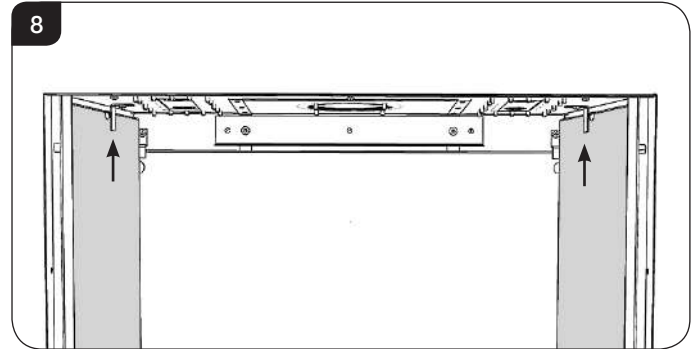
- 3.5 When replacing the baffle ensure that the rear locates on the shelf at the shelf at the back of the firebox, see Diagram 7.



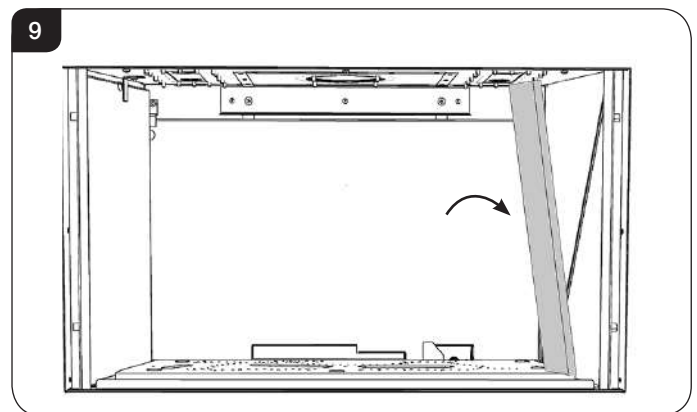
### SIDE LINERS

Once the baffle has been placed carefully to one side the liners can then be taken out in the following order.

- 3.6 Remove the side liner brackets, see Diagram 8.



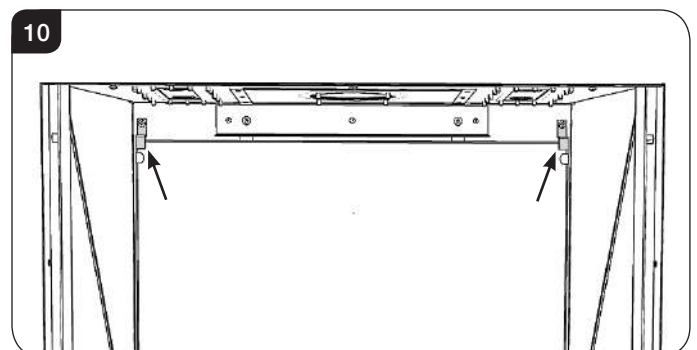
- 3.7 To remove the Right Hand liner first tilt inwards towards the centre of the firebox before lifting up and pulling out through the front of the firebox, see Diagram 9.



- 3.8 To remove the Left Hand liner first tilt inwards towards the centre of the firebox before lifting up and pulling out through the front of the firebox, see Diagram 9.

### REAR LINER

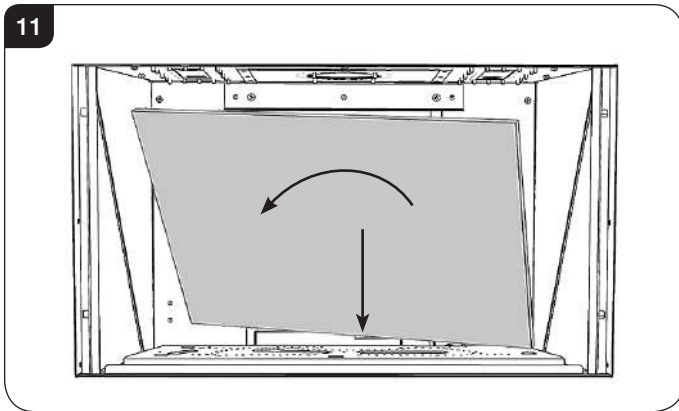
- 3.9 Supporting the rear liner remove the 2 brackets from the back of the firebox, see Diagram 10.



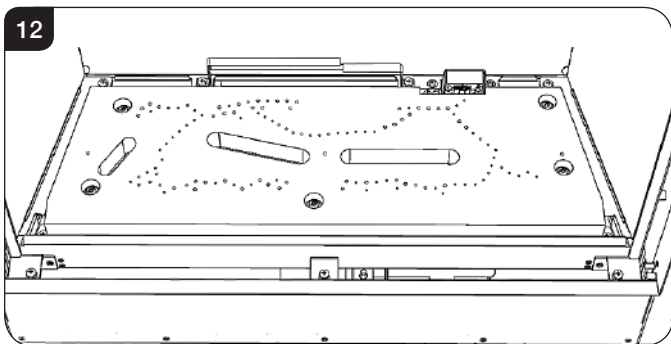


# Servicing Instructions - Replacing Parts

- 3.10 Remove the back liner by carefully lifting over the bottom bracket and twisting slightly to allow it to be removed through the front of the appliance, see Diagram 11.



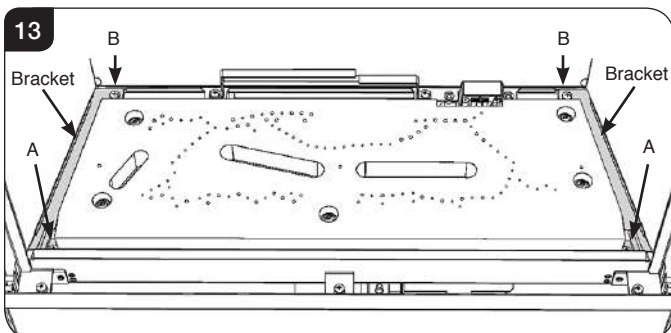
- 3.11 When replace the rear liner, ensure that the 2 brackets are replaced.
- 3.12 With the liners and baffle removed the firebox is clear for cleaning and maintenance, see Diagram 12.



- 3.13 To replace the liners and baffle reverse these procedures.

## 4. Main Burner

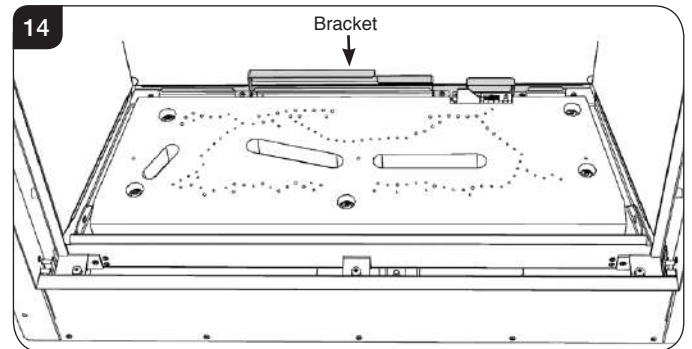
- 4.1 To remove the frame from the appliance please refer to the separate instructions supplied with the frame.
- 4.2 Remove the Glass Frame, see Section 2.
- 4.3 Remove the baffle and liners, see Section 3.
- 4.4 Turn the gas supply off at the isolation device.
- 4.5 Remove the front 2 corner screws, see Diagram 13, arrow A.



- 4.6 Remove the rear 2 corner screws, see Diagram 13, arrow B.

- 4.7 Remove the 2 side brackets, see Diagram 13.

- 4.6 Remove the rear bracket, see Diagram 14.



- 4.9 Carefully remove the engine:

Slide the burner unit to the right, pull slightly forward and lift from the back. Carefully remove through the front of the appliance.

Place carefully to one side.

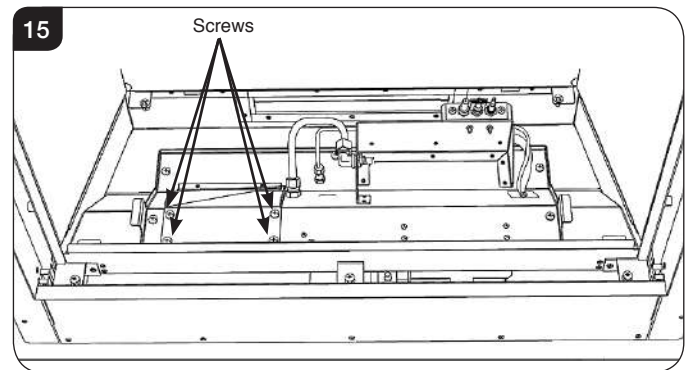
The burner unit can now be serviced.

## 5. Main Control Assembly

- 5.1 Remove the glass frame, see Section 2.

- 5.2 Remove the Main Burner, see Section 4.

- 5.3 Remove the 4 screws to remove the access plate, see Diagram 15.

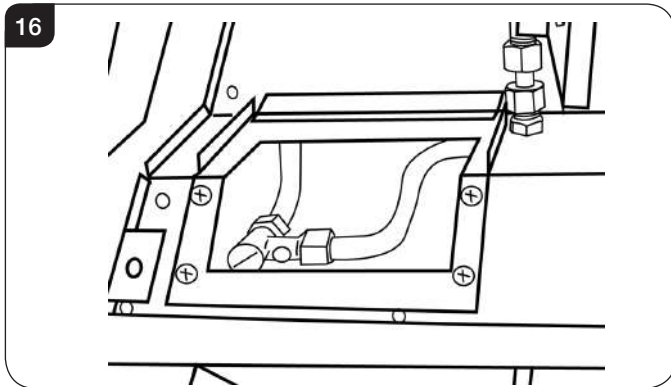


# Servicing Instructions - Replacing Parts

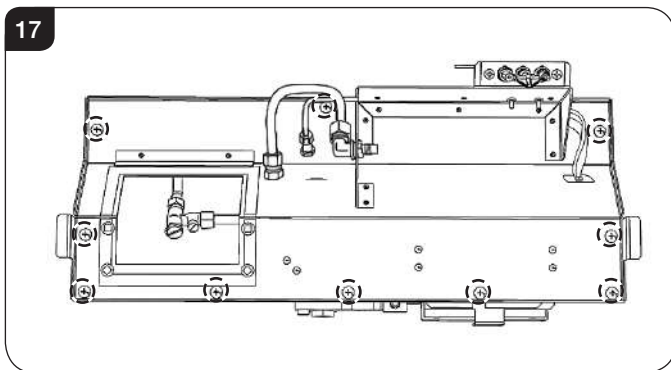
5.4 Turn the gas supply off at the isolation device.

## HAVE YOU ISOLATED THE GAS SUPPLY?

5.5 Disconnect the isolating device from the appliance inlet pipe to isolate the gas supply, see Diagram 16.



5.6 Remove the 10 screws securing the control assembly, see Diagram 17.



5.7 Lift the back of the control assembly and tilt forward to enable access to the controls.

5.8 The control assembly can now be lifted and removed through the front of the appliance.

5.9 Replace in reverse order.

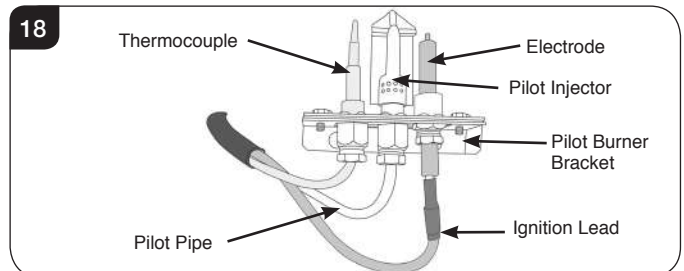
## 6. Pilot Unit



**IMPORTANT: UNDER THE TERMS OF THE EXTENDED WARRANTY IT WILL BE COMPULSORY TO CHANGE THE COMPLETE PILOT UNIT ON THIS APPLIANCE IN YEARS 2 AND 4.**

The pilot assembly consists of four components, which can be individually changed, these are:

- 6a) Pilot burner bracket
- 6b) Electrode
- 6c) Pilot Injector
- 6d) Thermocouple  
see Diagram 18.



6.1 Turn off the gas supply at the isolating device.

6.2 Remove the Main Burner and the Main Control Assembly, see Sections 3 and 4.

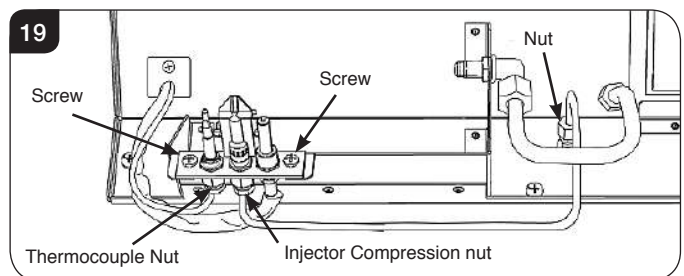
### 6a. Pilot Burner Bracket

6.3 To remove the Pilot Burner Bracket:

- Disconnect the Ignition lead, see Diagram 18.
- Loosen thermocouple nut, see Diagram 19.
- Undo the brass nuts connecting the pilot pipe to the brass fitting and the pilot unit and remove the pilot pipe, see Diagram 19.

**IMPORTANT Ensure not to lose the loose injector component.**

- Remove the 2 screws from the top of the bracket, see Diagram 19.

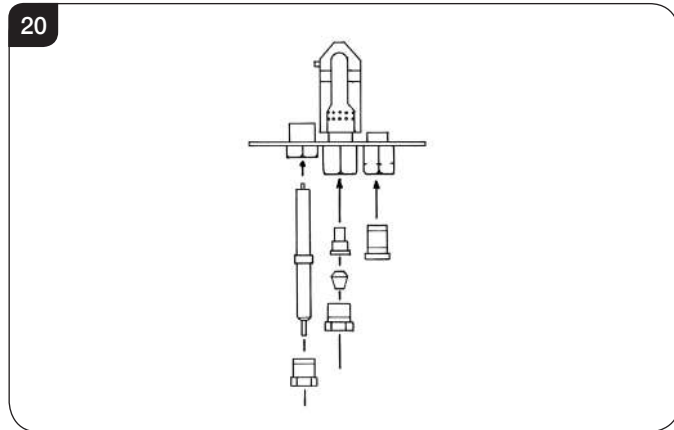


6.4 The pilot unit can now be removed and the pilot components can now be individually removed and replaced.

# Servicing Instructions - Replacing Parts

## 6b. Electrode

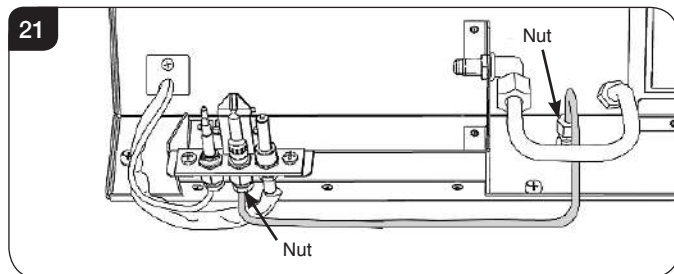
- 6.5 Pull the ignition lead off the electrode and undo the retaining nut, see Diagram 20.



- 6.6 Replace with a new electrode. Do not over-tighten the nut; this could break the component.
- 6.7 Replace the ignition lead.

## 6c. Pilot Injector

- 6.8 Undo the pilot pipe from the bulkhead and from the underside of the pilot burner, see Diagram 21.

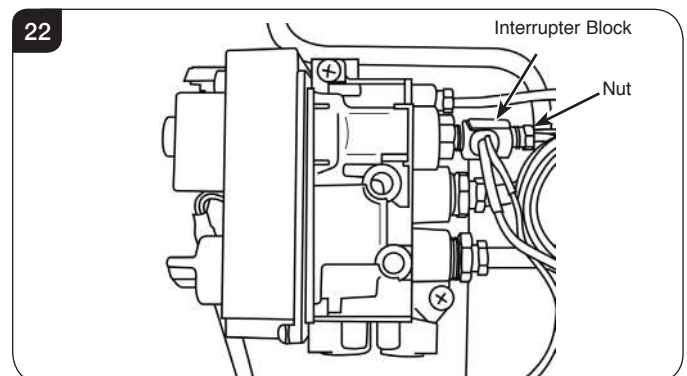


- 6.9 Remove the pipe and the injector drops out from the burner.

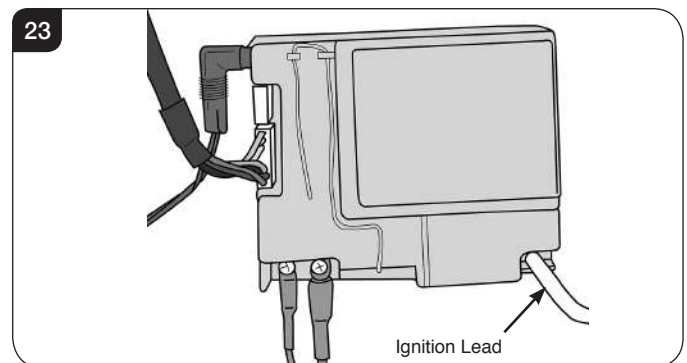
## 6d. Thermocouple

**IMPORTANT** The Ignition lead and the Thermocouple need to be removed at the same time regardless of which needs to be replaced.

- 6.10 Unplug the Ignition lead from the electrode and undo the brass nut to remove the thermocouple from the pilot burner unit, see Diagram 18.
- 6.11 Undo the brass nut from the back of the interrupter block to disconnect the thermocouple, see Diagram 22.



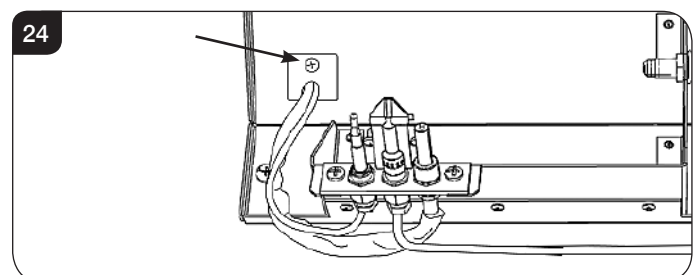
- 6.12 Unplug the Ignition lead from the control box, see Diagram 23.



- 6.13 Carefully cut cable ties from the vidaflex.

**IMPORTANT** Ensure not to cut the cables.

- 6.14 Remove screw and sealant from plate, see Diagram 24.



- 6.15 Feed ignition lead and thermocouple complete with vidaflex through metal plate.
- 6.16 Withdraw ignition lead and thermocouple from vidaflex sleeve. THIS MUST BE KEPT AND ASSEMBLED ON THE NEW LEAD. A CABLE TIE MUST ALSO BE USED TO RETAIN THE SLEEVE.

# Servicing Instructions - Replacing Parts

**IMPORTANT** The cables must follow the same route when they are replaced.

- 6.17 When replacing the cover plate ensure silicone sealant is used to seal the aperture.
- 6.18 The cable can only be fitted on way round, ensure this is correct when refitting a replacement.

**IMPORTANT** Ensure that the red end of the ignition cable is reconnected to the electrode.

## 7. Ignition Lead

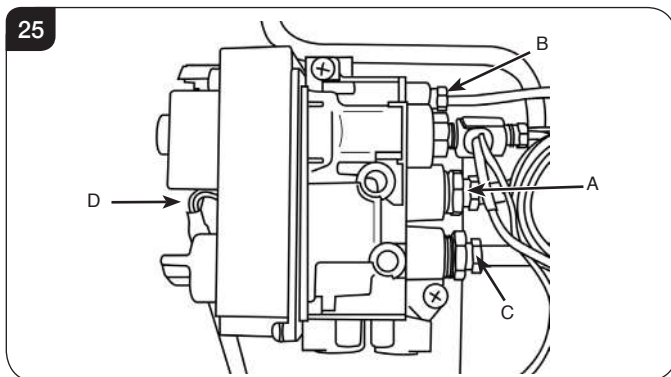
**IMPORTANT** The Ignition lead and the Thermocouple need to be removed at the same time regardless of which needs to be replaced.

See Section 6d.

## 8. Gas Valve

To change the gas valve:

- 8.1 Remove the Main Burner and the Main Control Assembly, see Sections 4 and 5.
- 8.2 Release the gas inlet pipe, see Diagram 25, Arrow A.



- 8.3 Remove the thermocouple from the interrupter block.
- 8.4 Release the pilot pipe, see Diagram 25, Arrow B.
- 8.5 Release the gas outlet pipe, see Diagram 25 Arrow C.
- 8.6 Remove the eight wire loom, see Diagram 25, Arrow D.
- 8.7 Remove the two screws securing the valve to the support bracket and withdraw the valve.
- 8.8 Replace in reverse order.

## 9. Magnetic Safety Valve

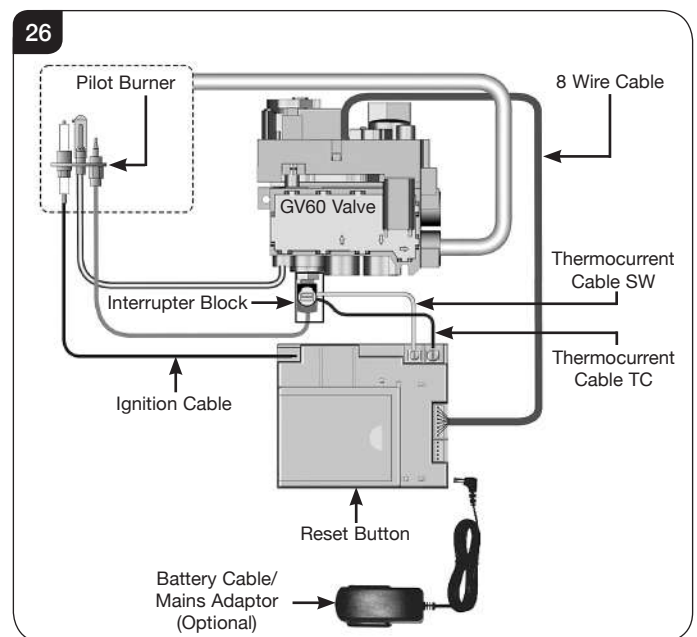
To replace the magnetic safety valve:

- 9.1 Undo the thermocouple from the interrupter block and remove the two interrupter leads.
- 9.2 Unscrew the interrupter block from the back of the valve.
- 9.3 Undo the silver magnetic valve retaining nut on the back of the valve.
- 9.4 Gently tap out the mag valve.
- 9.5 Replace with a new unit.
- 9.6 Reassemble in reverse order ensuring that the interrupter leads are connected correctly with the blue tag lead furthest away from the gas valve body.

## 10. Control Box

- 10.1 Remove the Main Burner and the Main Control Assembly, see Sections 4 and 5.
- 10.2 Remove the two thermocurrent cables by removing the two screws, see Diagram 26.
- 10.3 Remove the ignition lead, see Diagram 26.
- 10.4 Remove the eight wire loom from the control box.
- 10.5 Remove the battery extension cable, see Diagram 26.

The control box can now be replaced.

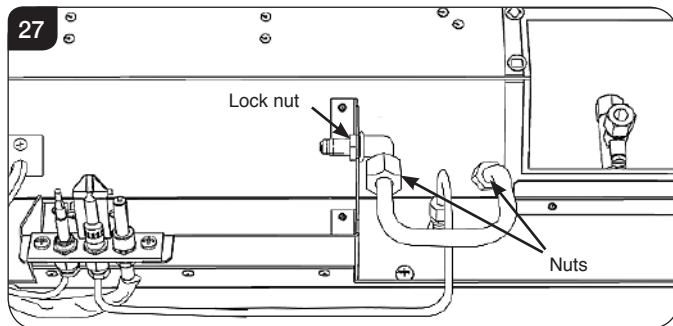


# Servicing Instructions - Replacing Parts

- 10.6 After replacing the control box you may need to reprogram the handset.
- Press and hold the reset button on the control box until you hear two signals. After the second longer signal:
  - Release the reset button and within 20 seconds:
  - Press the DOWN button on the handset until you hear two additional short signals confirming the new code is set.  
If there is a single long signal the code learning sequence has failed or the wiring is incorrect.

## 11. Main Injector

- 11.1 Remove the Main Burner, see Section 4.
- 11.2 Undo the 2 nuts and the lock nut, see Diagram 27.

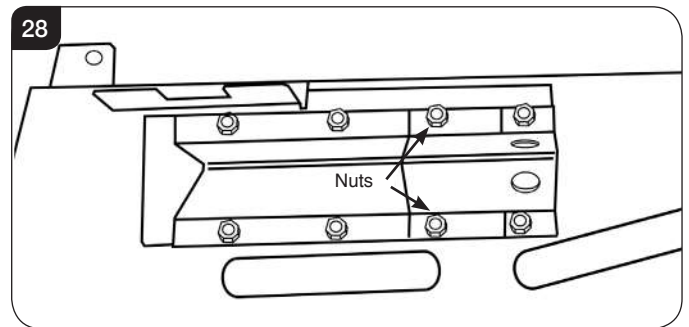


The injector can now be replaced.

- 11.3 Reassemble in reverse order.

## 12. Primary Aeration Plate

- 12.1 Remove the Main Burner, see Section 4.
- 12.2 Turn the Main Burner over and place on a soft surface so as to not damage the unit.
- 12.3 Remove the 2 fixing nuts and slide the plate off the venturi, see Diagram 28, the Aeration Plate can now be replaced.



## 13. Changing Between Gas Types

In order to change between gas types it will be necessary to change both the burner assembly and the complete control assembly.

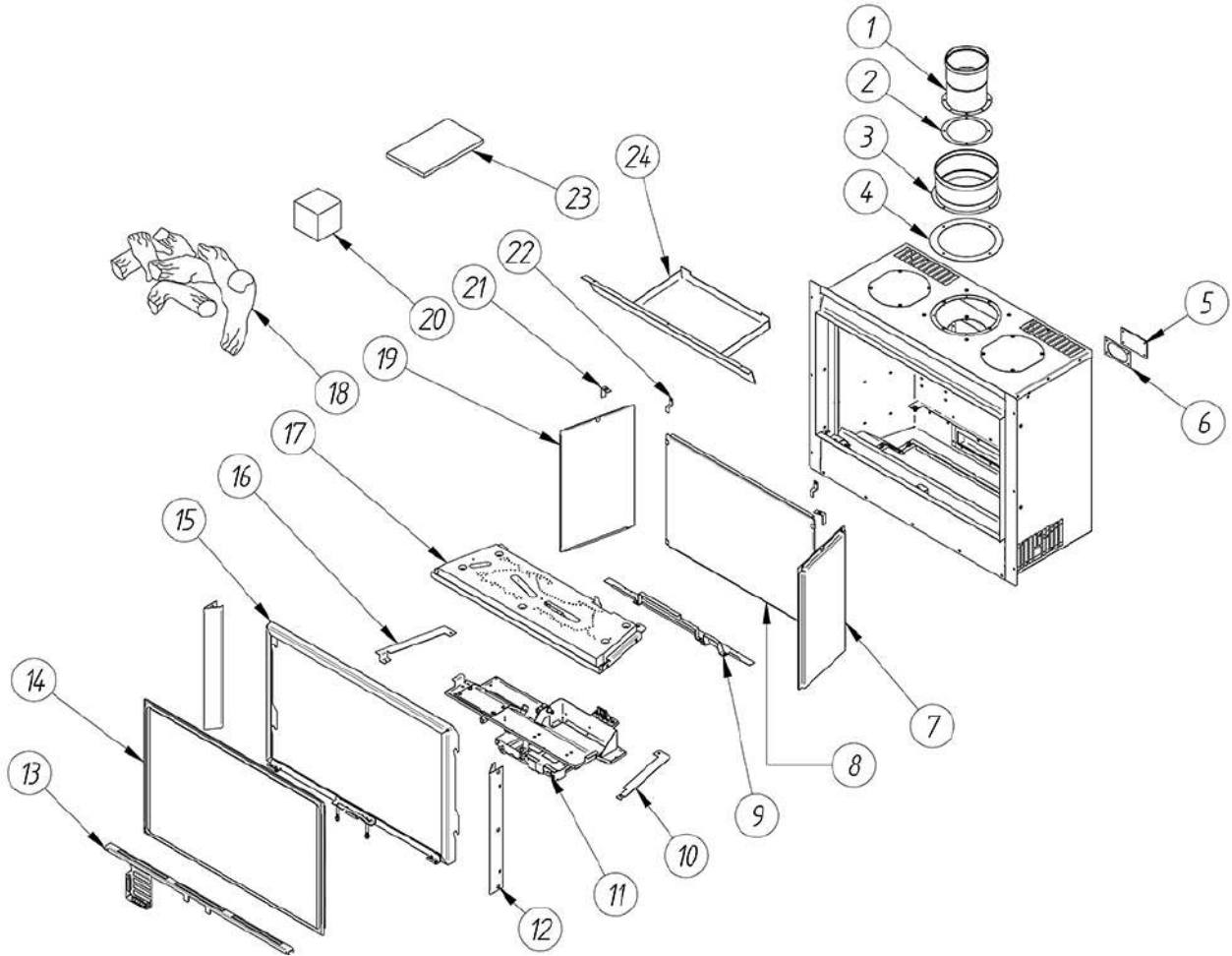
Contact your Gazco retailer for further information.

A kit of parts is available for this. Always quote the Model number and Serial number when ordering any spare parts.



# Servicing Instructions - Replacing Parts

## 14. Short Spares List



No.	Component	Part Code		Quantity
		Natural Gas	LPG	
1	Inner Spigot	MEC0231		1
2	Inner Flue Gasket	CE0210		1
3	Outer Spigot	MEC0232		1
4	Outer Flue Gasket	CE0211		1
5	Inlet Plate Silicone Seal	FA0354		1
6	Inlet Plate	ME3746		1
7	Black Glass Side Lining (LH/RH)	GZ15556		1
	Brick Side Lining (RH)	CE2076		1
	Ledgestone Side Lining (RH)	CE2077		1
8	Black Glass Rear Lining	GZ15555		1
	Brick Rear Lining	CE2051		1
	Ledgestone Rear Lining	CE2052		1
9	Rear Liner Lower Retainer Assembly	GZ15938		1
10	Liner Support Bracket (RH)	GZ15542		1
11	Engine Assembly	GZ15889	GZ15890	1
12	Side Frame Cover	GZ15484		2

No.	Component	Part Code		Quantity
		Natural Gas	LPG	
13	Door Infill Trim Assembly	GZ15819		1
14	Glass Assembly	GZ15550		1
15	Door & Glass Assembly	GZ15547		1
16	Liner Support Bracket (LH)	GZ15541		1
17	Burner Assembly	GZ10010		1
18	Log Set	CE2054		1
19	Black Glass Side Lining (LH/RH)	GZ15556		1
	Brick Side Lining (LH)	CE2050		1
	Ledgestone Side Lining (LH)	CE2053		1
20	Embaglow	GZ8471		1
21	Side Glass Lining Retainer	GZ15496		2
22	Upper Lining Restraint Bracket	GZ10786		2
23	Instruction Kit	GZ15590		1
24	Top Baffle	GZ15543		1

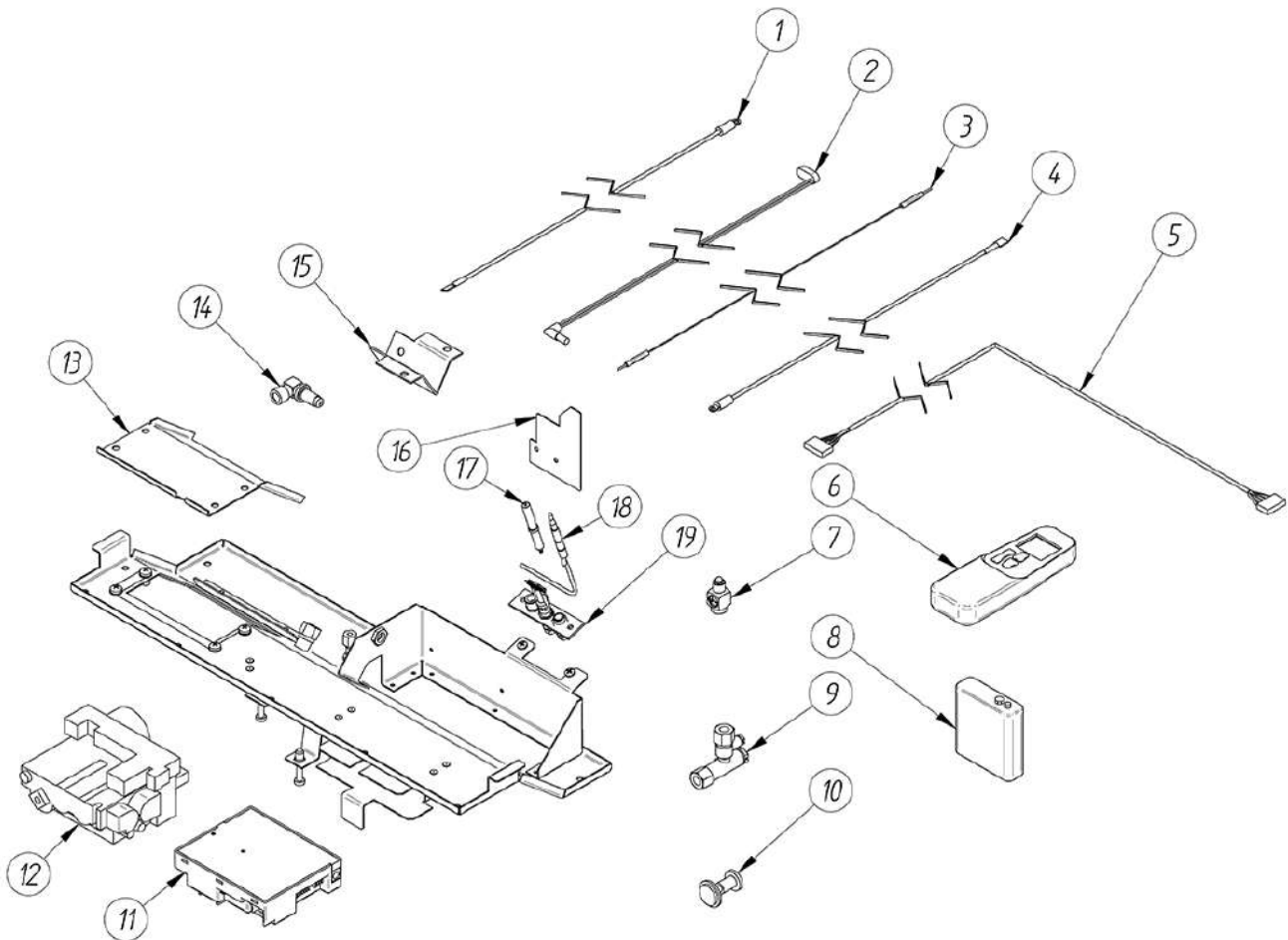
**i** Due to continual technical improvements please check online or with your Gazco retailer for the most up to date parts lists.

Only use Genuine Gazco spares when servicing your appliance. All of our essential spare parts and consumable items are available to purchase from our webshop at [www.gazcospares.com](http://www.gazcospares.com).



# Servicing Instructions - Replacing Parts

## 14. Short Spares List - Control Assembly



No.	Component	Part Code		Quantity
		Natural Gas	LPG	
1	Thermocurrent Cable	EL0590		1
2	3m Cable for Battery	GC0146		1
3	Ignition Cable	GC0125		1
4	Thermocurrent Cable	GC0126		1
5	Connection Cable	GC0133		1
6	Handset	EL0571		1
7	Interruptor	GC0124		1
8	Battery Pack	EL0616		1
9	Restrictor Elbow	GC0095		1
10	Mag Unit	GC0166		1

No.	Component	Part Code		Quantity
		Natural Gas	LPG	
11	Receiver	EL0589		1
12	Control Unit	GC0123K		1
13	Test Point Hatch	GZ11141		1
14	Injector	IN0035	IN0051	1
15	Aeration Plate	GZ14549	-	1
16	Pilot Protection Plate	ME15939		1
17	Electrode	PI0075		1
18	Thermocouple	PI0074		1
19	Pilot Burner	PI0069	PI0070	1



Due to continual technical improvements please check online or with your Gazco retailer for the most up to date parts lists.

Only use Genuine Gazco spares when servicing your appliance.

All of our essential spare parts and consumable items are available to purchase from our webshop at [www.gazcospares.com](http://www.gazcospares.com).

# Service Records

## 1ST SERVICE

Date of Service:.....  
Next Service Due:.....  
Signed:.....  
Retailer's Stamp/GasSafe Registration Number

## 3RD SERVICE

Date of Service:.....  
Next Service Due:.....  
Signed:.....  
Retailer's Stamp/GasSafe Registration Number

## 5TH SERVICE

Date of Service:.....  
Next Service Due:.....  
Signed:.....  
Retailer's Stamp/GasSafe Registration Number

## 7TH SERVICE

Date of Service:.....  
Next Service Due:.....  
Signed:.....  
Retailer's Stamp/GasSafe Registration Number

## 9TH SERVICE

Date of Service:.....  
Next Service Due:.....  
Signed:.....  
Retailer's Stamp/GasSafe Registration Number

## 2ND SERVICE

Date of Service:.....  
Next Service Due:.....  
Signed:.....  
Retailer's Stamp/GasSafe Registration Number

## 4TH SERVICE

Date of Service:.....  
Next Service Due:.....  
Signed:.....  
Retailer's Stamp/GasSafe Registration Number

## 6TH SERVICE

Date of Service:.....  
Next Service Due:.....  
Signed:.....  
Retailer's Stamp/GasSafe Registration Number

## 8TH SERVICE

Date of Service:.....  
Next Service Due:.....  
Signed:.....  
Retailer's Stamp/GasSafe Registration Number

## 10TH SERVICE

Date of Service:.....  
Next Service Due:.....  
Signed:.....  
Retailer's Stamp/GasSafe Registration Number

# Information Requirement - Gas Heaters

## Information Requirement for Gaseous Fuel Local Space Heater

Model	Riva2 600 BF NG	Riva2 600 BF LPG
<b>Fuel</b>		
Space Heating Emissions (NOx) - mg / kWh <sub>input</sub> (GCV)	130	130
<b>Heat Output</b>		
Nominal Heat Output - $P_{nom}$	5.3kW	5.7kW
Minimum Heat Output (indicative) - $P_{min}$	3.3kW	3.3kW
<b>Auxiliary Electricity Consumption</b>		
At Nominal Heat Output - $e_{l,max}$	N/A	N/A
At Minimum Heat Output - $e_{l,min}$	N/A	N/A
In Standby Mode - $e_{l,SB}$	N/A	N/A
<b>Useful Efficiency (NCV)</b>		
Useful Efficiency at nominal heat output - $\eta_{th,nom}$	92%	92%
Useful Efficiency at minimum heat output (indicative) - $\eta_{th,min}$	82%	82%
<b>Permanent Pilot Flame Power requirement</b>		
Permanent Pilot Flame Power requirement (if applicable) - $P_{pilot}$	N/A	N/A
<b>Type of heat output/room temperature control</b>		
Electronic room temperature control + day timer	Yes	Yes
<b>Other control options (multiple selections possible)</b>		
Room temperature control, with presence detection	No	No
Room temperature control, with open window detection	No	No
With distance control option	No	No
With adaptive start control	No	No
With working time limitation	No	No
With black bulb sensor	No	No
<b>Energy Efficiency Index</b>	<b>88%</b>	<b>88%</b>
<b>Energy Efficiency Class</b>	<b>A</b>	<b>A</b>
<b>Contact:</b>	Gazco Ltd, Osprey Road, Sowton Industrial Estate, Exeter, EX2 7JG	





**Gazco Limited, Osprey Road, Sowton Industrial Estate, Exeter, Devon, England EX2 7JG**  
**Technical Customer Services: (01392) 261950 Fax: (01392) 261951**  
**E-mail: [technicalservices@gazco.com](mailto:technicalservices@gazco.com)**

A member of the Stovax Group

E & O E